

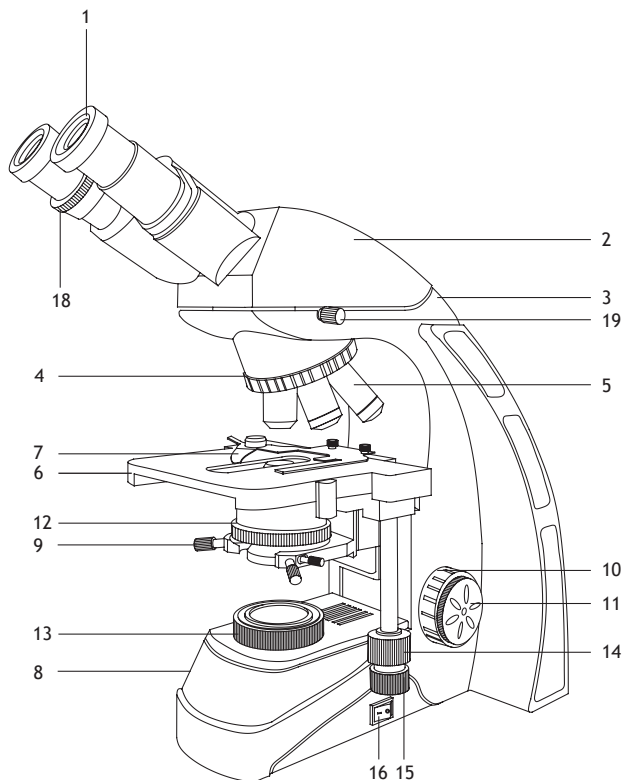
# Levenhuk MED 40 Microscopes

- ⓔN User Manual
- ⓔBG Ръководство за потребителя
- ⓔCZ Návod k použití
- ⓔDE Bedienungsanleitung
- ⓔES Guía del usuario
- ⓔHU Használati útmutató
- ⓔIT Guida all'utilizzo
- ⓔPL Instrukcja obsługi
- ⓔPT Manual do usuário
- ⓔRU Инструкция по эксплуатации
- ⓔTR Kullanım kılavuzu

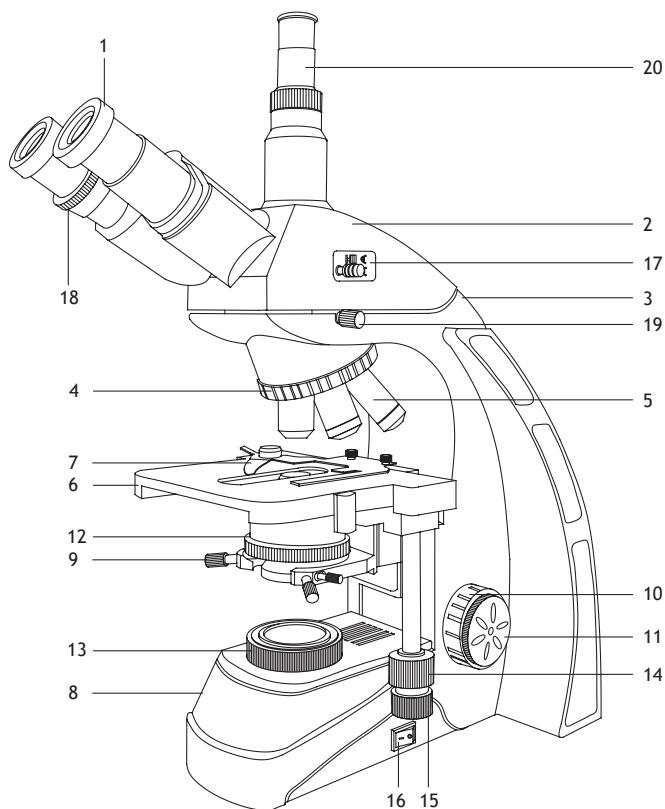


*Наслади се отблизо  
Radost zaostřit  
Zoom ran und hab Fun!  
Amplie y disfrute  
Kellemes nagyítást!  
Ingrandisci il divertimento  
Radość przybliżania  
Dê um zoom na sua emoção  
Приближает с удовольствием  
Yakınlaştırın ve Keyfini Çıkarın*

**levenhuk**  
Zoom&Joy



1a. Levenhuk MED 40B



1b. Levenhuk MED 40T, D40T, D40T LCD

(EN)

1. Eyepiece
2. Binocular/trinocular eyepiece head
3. Arm
4. Revolving nosepiece
5. Objective
6. Stage
7. Mechanical scale
8. Brightness adjustment knob (not shown)
9. Aperture diaphragm adjustment screws
10. Coarse focusing knob
11. Fine focusing knob
12. Condenser
13. Collector
14. Stage moving knob (right/left)
15. Stage moving knob (back/forth)
16. Illumination on/off button
17. Beam splitter (trinocular models only)
18. Diopter adjustment ring
19. Binocular/trinocular head locking screw
20. Third eyepiece tube (trinocular models only)

(BG)

1. Окуляр
2. Бинокулярна/тринокулярна глава
3. Рамо
4. Револверна глава
5. Обектив
6. Предметна маса
7. Механична скала
8. Бутон за регулиране на яркостта (не е показан)
9. Винтове за регулиране на апертурата на диафрагмата
10. Бутон за грубо фокусиране
11. Бутон за фино фокусиране
12. Кондензатор
13. Колектор
14. Бутон за преместване на предметната маса (надясно/наляво)
15. Бутон за преместване на предметната маса (назад/напред)
16. Бутон за включване/изключване на осветлението
17. Светоделител (само за тринокулярни модели)
18. Пръстен за регулиране на диоптъра
19. Заклучващ винт на бинокулярната/тринокулярната глава
20. Трета тръба на окуляра (само за тринокулярни модели)

(CZ)

1. Okulár
2. Binokulární/trinokulární hlava okuláru
3. Rameno
4. Revolverový nosič objektivů
5. Objektiv
6. Pracovní stůl
7. Mechanická stupnice
8. Knoflík pro nastavení jasu (není zobrazen)
9. Seřizovací šrouby pro nastavení aperturní clony
10. Makrošroub pro hrubé zaostření
11. Mikrošroub pro jemné zaostření
12. Kondenzor
13. Kolektor
14. Ovládací knoflík posuvu pracovního stolu (vpravo/vlevo)
15. Ovládací knoflík posuvu pracovního stolu (dozadu/dopředu)
16. Osvětlení - spínač zapnutí/vypnutí
17. Dělič paprsků (pouze trinokulární modely)
18. Kroužek dioptrické korekce
19. Pojistný šroub binokulární/trinokulární hlavy
20. Třetí tubus okuláru (pouze trinokulární modely)

DE

1. Okular
2. Binokular-/Trinokular-Okularkopf
3. Arm
4. Revolver
5. Objektiv
6. Objektisch
7. Physische Skala
8. Helligkeitsregler (nicht abgebildet)
9. Irisblende-Einstellschrauben
10. Grobtrieb
11. Feintrieb
12. Kondensator
13. Kollektor
14. Tischverstellungsknopf (links/rechts)
15. Tischverstellungsknopf (vorwärts/rückwärts)
16. Beleuchtung-Ein-/Ausschalter
17. Strahlteiler (nur Trinokularmodelle)
18. Dioptrienring
19. Binokular-/Trinokularkopf-Fixierschraube
20. Dritter Okulartubus (nur Trinokularmodelle)

ES

1. Ocular
2. Cabezal binocular/trinocular
3. Brazo
4. Revólver giratorio
5. Objetivo
6. Platina
7. Micrómetro mecánico
8. Mando de ajuste del brillo (no se muestra)
9. Tornillos de ajuste del diafragma de apertura
10. Mando de enfoque aproximado
11. Mando de enfoque preciso
12. Condensador
13. Lente colectora
14. Mando de movimiento de la platina (derecha/izquierda)
15. Mando de movimiento de la platina (atrás/adelante)
16. Botón de encendido/apagado de la iluminación
17. Divisor del haz de luz (solo en modelos trinoculares)
18. Anillo de ajuste de las dioptrías
19. Tornillo de bloqueo del cabezal binocular/trinocular
20. Tercer tubo ocular (solo modelos trinoculares)

HU

1. Szemlencse
2. Kettő-/háromszemlencsés szemlencse fejrész
3. Kar
4. Revolverfej
5. Objektív
6. Tárgyasztal
7. Mechanikus skála
8. Fényerősség állító gomb (nem látható)
9. Rekesznyílás állítócsavar
10. Durva-fókuszállító gomb
11. Finom-fókuszállító gomb
12. Kondenzor
13. Kollektor
14. Tárgyasztal mozgató gomb (jobb/bal)
15. Tárgyasztal mozgató gomb (előre/hátra)
16. Világítás be-/kikapcsoló gomb
17. Sugárosztó (csak háromszemlencsés modelleknél)
18. Dioptria-állító gyűrű
19. Kettő-/háromszemes fejrész rögzítőcsavar
20. Harmadik szemlencsecső (csak háromszemlencsés modelleknél)

IT

1. Oculare
2. Testata binoculare/trinoculare
3. Stativo
4. Revolver portaobiettivi
5. Obiettivo
6. Tavolino
7. Traslatore meccanico
8. Manopola di regolazione della luminosità (non visibile)
9. Viti di regolazione dell'apertura del diaframma
10. Manopola di messa a fuoco grossolana
11. Manopola di messa a fuoco fine
12. Condensatore
13. Collettore
14. Manopola per il movimento del tavolino (destra/sinistra)
15. Manopola per il movimento del tavolino (avanti/indietro)
16. Interruttore per l'illuminazione
17. Beam splitter (solo modelli trinoculari)
18. Ghiera di regolazione diottrica
19. Vite di fissaggio della testata binoculare/trinoculare
20. Terzo tubo ottico (solo modelli trinoculari)

PL

1. Okular
2. Głowica dwuokularowa/trójokularowa
3. Ramię
4. Miska rewolwerowa
5. Obiektyw
6. Stolik
7. Skala mechaniczna
8. Pokrętło regulacji jasności (niepokazane)
9. Śruby regulacyjne przystony aperturowej
10. Pokrętło zgrubnej regulacji ostrości
11. Pokrętło precyzyjnej regulacji ostrości
12. Kondensator
13. Kolektor
14. Pokrętło przesuwania stolika (w prawo/w lewo)
15. Pokrętło przesuwania stolika (do tyłu/do przodu)
16. Przycisk wł./wył. oświetlenia
17. Rozdzielacz wiązki (tylko modele trójokularowe)
18. Pierścień regulacji dioptrii
19. Śruba blokująca głowicy dwuokularowej/trójokularowej
20. Tuba trzeciego okularu (tylko modele trójokularowe)

PT

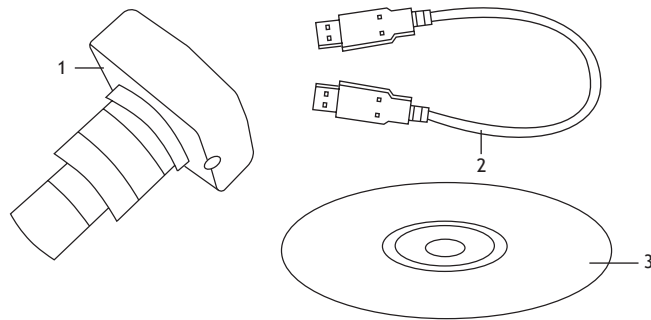
1. Ocular
2. Cabeça da ocular binocular/trinocular
3. Braço
4. Revólver giratório
5. Objetiva
6. Platina
7. Balança mecânica
8. Botão de ajuste do brilho (não apresentado)
9. Parafusos de regulação do diafragma de abertura
10. Botão de focagem grosseira
11. Botão de focagem fina
12. Condensador
13. Coletor
14. Botão de deslocação da lâmina (para a direita/para a esquerda)
15. Botão de deslocação da lâmina (para a frente/para trás)
16. Botão de ligar/desligar a iluminação
17. Separador de feixe (apenas modelos trinoculares)
18. Anel de ajuste de dioptria
19. Parafuso de bloqueio da cabeça binocular/trinocular
20. Terceiro tubo ocular (apenas modelos Trinocular)

RU

1. Окуляр
2. Бинокулярная/тринокулярная насадка
3. Опорная стойка
4. Революверное устройство
5. Объектив
6. Предметный столик
7. Препаратоводитель
8. Регулятор яркости подсветки (не показан)
9. Регуляторы апертурной диафрагмы
10. Ручка грубой фокусировки
11. Ручка точной фокусировки
12. Конденсор
13. Коллектор
14. Перемещение столика по горизонтали (вправо/влево)
15. Перемещение столика по горизонтали (вперед/назад)
16. Кнопка вкл/выкл подсветки
17. Переключатель (делитель) светового потока (только тринокулярные модели)
18. Кольцо диоптрийной настройки
19. Фиксатор бинокулярной/тринокулярной насадки
20. Третья окулярная трубка (только тринокулярные модели)

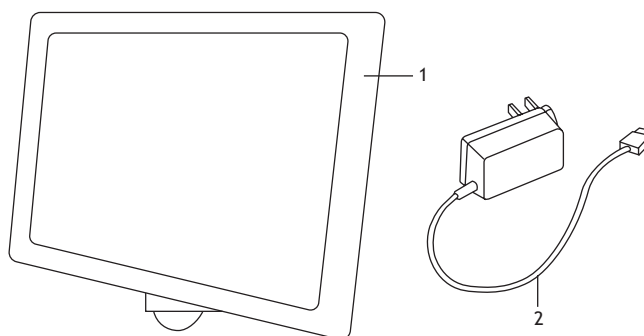
TR

1. Göz merceği
2. Binoküler/trinoküler göz merceği başlığı
3. Kol
4. Döner burun parçası
5. Objektif
6. Lamel yuvası
7. Mekanik ölçek
8. Parlaklık ayar düğmesi (gösterilmiyor)
9. Açıklık diyaframı ayarlama vidaları
10. Kaba odaklama düğmesi
11. İnce odaklama düğmesi
12. Kondansatör
13. Kolektör
14. Lamel hareket ettirme düğmesi (sağ/sol)
15. Lamel hareket ettirme düğmesi (geri/ileri)
16. Aydınlatma açma/kapama düğmesi
17. Işın demeti ayırıcısı (yalnızca trinoküler modeller)
18. Diyopter ayar halkası
19. Binoküler/üç mercekli başlık kitleme vidası
20. Üçüncü göz merceği tüpü (yalnızca üç mercekli modeller)



2a. Levenhuk MED D40T

- |                                                                                                                                  |                                                                                                                                    |                                                                                                                              |                                                                                                                                                    |                                                                                                                            |                                                                                                                        |
|----------------------------------------------------------------------------------------------------------------------------------|------------------------------------------------------------------------------------------------------------------------------------|------------------------------------------------------------------------------------------------------------------------------|----------------------------------------------------------------------------------------------------------------------------------------------------|----------------------------------------------------------------------------------------------------------------------------|------------------------------------------------------------------------------------------------------------------------|
| <p>(EN)</p> <ol style="list-style-type: none"> <li>Digital camera</li> <li>USB cable</li> <li>Installation CD</li> </ol>         | <p>(BG)</p> <ol style="list-style-type: none"> <li>Цифрова камера</li> <li>USB кабел</li> <li>Инсталационен компактдиск</li> </ol> | <p>(CZ)</p> <ol style="list-style-type: none"> <li>Digitální fotoaparát</li> <li>Kabel USB</li> <li>Instalační CD</li> </ol> | <p>(DE)</p> <ol style="list-style-type: none"> <li>Digitalkamera</li> <li>USB-Kabel</li> <li>Installations-CD</li> </ol>                           | <p>(ES)</p> <ol style="list-style-type: none"> <li>Cámara digital</li> <li>Cable USB</li> <li>CD de instalación</li> </ol> | <p>(HU)</p> <ol style="list-style-type: none"> <li>Digitális kamera</li> <li>USB-kábel</li> <li>Telepítő CD</li> </ol> |
| <p>(IT)</p> <ol style="list-style-type: none"> <li>Fotocamera digitale</li> <li>Cavo USB</li> <li>CD di installazione</li> </ol> | <p>(PL)</p> <ol style="list-style-type: none"> <li>Aparat cyfrowy</li> <li>Przewód USB</li> <li>Płyta instalacyjna</li> </ol>      | <p>(PT)</p> <ol style="list-style-type: none"> <li>Câmara digital</li> <li>USB cable</li> <li>CD de instalação</li> </ol>    | <p>(RU)</p> <ol style="list-style-type: none"> <li>Цифровая камера</li> <li>USB-кабель</li> <li>Компакт-диск с программным обеспечением</li> </ol> | <p>(TR)</p> <ol style="list-style-type: none"> <li>Dijital kamera</li> <li>USB kablosu</li> <li>Kurulum CD'si</li> </ol>   |                                                                                                                        |



2b. Levenhuk MED D40T LCD

- |                                                                                                                          |                                                                                                                                        |                                                                                                                             |                                                                                                                     |                                                                                                                        |                                                                                                                         |
|--------------------------------------------------------------------------------------------------------------------------|----------------------------------------------------------------------------------------------------------------------------------------|-----------------------------------------------------------------------------------------------------------------------------|---------------------------------------------------------------------------------------------------------------------|------------------------------------------------------------------------------------------------------------------------|-------------------------------------------------------------------------------------------------------------------------|
| <p>(EN)</p> <ol style="list-style-type: none"> <li>Digital camera with LCD screen</li> <li>AC adapter</li> </ol>         | <p>(BG)</p> <ol style="list-style-type: none"> <li>Цифрова камера с течно-кристален екран</li> <li>Променливо-токов адаптер</li> </ol> | <p>(CZ)</p> <ol style="list-style-type: none"> <li>Digitální fotoaparát s LCD obrazovkou</li> <li>Sítový adaptér</li> </ol> | <p>(DE)</p> <ol style="list-style-type: none"> <li>Digitalkamera mit LCD-Bildschirm</li> <li>Netzteil</li> </ol>    | <p>(ES)</p> <ol style="list-style-type: none"> <li>Cámara digital con pantalla LCD</li> <li>Adaptador de CA</li> </ol> | <p>(HU)</p> <ol style="list-style-type: none"> <li>Digitális kamera LCD-kijelzővel</li> <li>Hálózati adapter</li> </ol> |
| <p>(IT)</p> <ol style="list-style-type: none"> <li>Fotocamera digitale con schermo LCD</li> <li>Adattatore AC</li> </ol> | <p>(PL)</p> <ol style="list-style-type: none"> <li>Aparat cyfrowy z wyświetlaczem LCD</li> <li>Zasilacz sieciowy</li> </ol>            | <p>(PT)</p> <ol style="list-style-type: none"> <li>Câmara digital com ecrã LCD</li> <li>Adaptador de CA</li> </ol>          | <p>(RU)</p> <ol style="list-style-type: none"> <li>Цифровая камера с ЖК-экраном</li> <li>Сетевой адаптер</li> </ol> | <p>(TR)</p> <ol style="list-style-type: none"> <li>LCD ekranlı dijital kamera</li> <li>AC adaptörü</li> </ol>          |                                                                                                                         |

## General Information

Read the user manual carefully before you start working with a microscope. Levenhuk MED Series biological microscopes are safe for health, life and property of the consumer and the environment when properly used, and meets the requirements of international standards. These microscopes are designed for observing transparent objects in the transmitted light using the bright field method. They perform well in clinical research and tests; teaching demonstrations; bacterioscopy and cytology in medical and health establishments, laboratories, universities; and may be used for scientific research in agriculture and microbiology.

## Microscope assembly

- Unpack the microscope carefully and place it on a flat surface.
- Remove the plastic bags and dustproof cover of the eyepiece head.
- Install the binocular or trinocular head and tighten the locking screw.
- Inspect all the items included in the kit and define their purpose.
- Connect the power cord to the microscope and plug it in.

## Use

Please refer to the fig. 1a (binocular model) and fig. 1b (trinocular model).

- Turn on the power and the illumination will turn on. Set the brightness at approximately 70%. Place the specimen on the stage. Make sure the clips hold the specimen firmly in place.
- Iris diaphragm should be adjusted in accordance with numerical aperture of a lens. The best practice is to make the iris diaphragm slightly smaller than the aperture of the selected lens. Open or close the iris diaphragm using the adjustment screws. If the adjustment screw is turned to the right, the iris diaphragm is fully open. **Note:** The diaphragm is not intended for adjusting the brightness of the illumination. To adjust the brightness, use the brightness adjustment knob.
- Place the necessary filter on top of the collector.
- To change the objective magnification, turn the revolving nosepiece until it clicks.
- Make sure that the lens does not touch the sample when adjusting the focus: rotate the coarse focus knob until the specimen is about 3.175mm (1/8") away from the lens.
- Looking into the eyepiece, slowly turn the coarse focusing knob until you can see the image of the observed specimen. Turn the fine focusing knob to make the image clear. The fine focusing mechanism allows you to focus on the observed specimen while using high magnifications.
- When you use an oil immersion objective, the space between the specimen and the lens should be filled with immersion oil. Raise the condenser to the upper position and put a drop of oil on the lens and on the cover glass of the specimen. Move the revolving nosepiece back and forth to get rid of air bubbles in the oil. Then, fix the objective lens in its working position. Make sure that oil fills the entire space between the objective lens and the specimen. After use, wipe the lens dry.
- To adjust the position of the mechanical scale, turn the coarse focusing knob in a clockwise direction if you want to fix the position of the mechanical scale, or in a counterclockwise direction if you want to loosen it.
- To place the specimen in the field of view, move the stage horizontally back and forth or left and right using the stage moving knobs.
- Look through the right eyepiece with your right eye and adjust the image sharpness with the coarse and fine focusing knobs. Then, look through the left eyepiece with your left eye and rotate the diopter adjustment ring to equalize the difference between your left and right eyes vision. Remember the setting for future use. Adjust the distance between the eyepiece tubes of the binocular head so that the image merges into a single circle.
- Trinocular models: You can install the digital camera to the third eyepiece tube. Use the beam splitter to send the light to the eyepieces or to the camera.

## Fuse replacement

Unplug the microscope from a power source. Open the fuse holder located on the back of the microscope body with a flat head screwdriver. Remove the old fuse and install a new one. Only use the appropriate types of fuses. Close the fuse holder.

## Digital camera

Levenhuk MED D40T comes with a digital camera (fig. 2a), Levenhuk MED D40T LCD comes with a digital camera with an LCD screen (fig. 2b). A digital camera is installed to the third eyepiece tube and enables observing specimens on the screen in exquisite detail and true color, taking photos and videos, and saving the images for future reference.



## Specifications

Product ID	74004	74005	74006	74007
Model	MED 40B	MED 40T	MED D40T LCD	MED D40T
Type	biological/optical		biological/optical, digital	
Research method	bright field		bright field	
Magnification	40–1000x		40–1000x	
Interpupillary distance	48–75mm		48–75mm	
Eyepiece head	binocular, 360° rotatable, inclined at 30°	trinocular, 360° rotatable, inclined at 30°	trinocular, 360° rotatable, inclined at 30°	
Optics material	optical glass with an anti-fungal coating		optical glass with an anti-fungal coating	
Eyepiece tube diameter	30mm		30mm	
Third vertical eyepiece tube	–	23.2mm	23.2mm	
Eyepieces	WF10x/22mm (2pcs)		WF10x/22mm (2pcs)	
Eyepiece diopter adjustment	±5D		±5D	
Objectives	Infinity Plan: 4x, 10x, 40xs, 60xs, 100xs (oil)		Infinity Plan: 4x, 10x, 40xs, 60xs, 100xs (oil)	
Revolving nosepiece	5 objectives		5 objectives	
Stage moving range	75/50mm		75/50mm	
Stage	double layer mechanical, 180x150mm, with a mechanical scale		double layer mechanical, 180x150mm, with a mechanical scale	
Focus system	coaxial, coarse (0.5mm) and fine (0.002mm), with rack and pinion mechanism		coaxial, coarse (0.5mm) and fine (0.002mm), with rack and pinion mechanism	
Condenser	Abbe N.A. 1.25 iris diaphragm		Abbe N.A. 1.25 iris diaphragm	
Body	metal		metal	
Illumination	lower (5W LED) with brightness adjustment		lower (5W LED) with brightness adjustment	
Collector	Köhler illumination		Köhler illumination	
Filters	blue, green, yellow		blue, green, yellow	
Vial of immersion oil	+		+	
Fuse	2pcs		2pcs	
Power supply	100–240V, via AC adapter		100–240V, via AC adapter	
Digital camera	–		5Mpx with LCD screen	18Mpx
Camera power supply	–		DC 12V/2A, via AC adapter	DC 5V, via USB 3.0 cable
Optional accessories (sold separately)	<i>infinity plan objective: 20xs</i>		<i>infinity plan objective: 20xs</i>	
	<i>eyepieces (D 30mm): 5x, 12.5x, 16x, 20x</i>		<i>eyepieces (D 30mm): 5x, 12.5x, 16x, 20x</i>	
	<i>dark field condenser</i>		<i>dark field condenser</i>	
	<i>standard contrast device</i>		<i>standard contrast device</i>	
	<i>plain polarization device</i>		<i>plain polarization device</i>	
	–	<i>digital camera</i>	–	

The manufacturer reserves the right to make changes to the product range and specifications without prior notice.



**Caution!** Please remember that mains voltage in most European countries is 220–240V. If you want to use your device in a country with a different mains voltage standard, remember that use of a converter is absolutely necessary. The microscope must be grounded. Make sure that the main voltage matches the voltage indicated on the microscope body.

## Care and maintenance

Never, under any circumstances, look directly at the Sun, another bright source of light or at a laser through this device, as this may cause **PERMANENT RETINAL DAMAGE** and may lead to **BLINDNESS**. Take necessary precautions when using the device with children or others who have not read or who do not fully understand these instructions. After unpacking your microscope and before using it for the first time check for integrity and durability of every component and connection. Do not try to disassemble the device on your own for any reason. For repairs and cleaning of any kind, please contact your local specialized service center. Protect the device from sudden impact and excessive mechanical force. Do not apply excessive pressure when adjusting focus. Do not overtighten the locking screws. Do not touch the optical surfaces with your fingers. To clean the device exterior, use only special cleaning wipes and special optics cleaning tools from Levenhuk. Do not use any corrosive or acetone-based fluids to clean the optics. Abrasive particles, such as sand, should not be wiped off lenses, but instead blown off or brushed away with a soft brush. Do not use the device for lengthy periods of time, or leave it unattended in direct sunlight. Keep the device away from water and high humidity. Be careful during your observations, always replace the dust cover after you are finished with observations to protect the device from dust and stains. If you are not using your microscope for extended periods of time, store the objective lenses and eyepieces separately from the microscope. Store the device in a dry, cool place away from hazardous acids and other chemicals, away from heaters, open fire and other sources of high temperatures. When using the microscope, try not to use it near flammable materials or substances (benzene, paper, cardboard, plastic, etc.), as the base may heat up during use, and might become a fire hazard. Always unplug the microscope from a power source before opening the base or changing the illumination lamp. Regardless of the lamp type (halogen or incandescent), give it some time to cool down before trying to change it, and always change it to a lamp of the same type. Always use the power supply with the proper voltage, i.e. indicated in the specifications of your new microscope. Plugging the instrument into a different power outlet may damage the electric circuitry of the microscope, burn out the lamp, or even cause a short circuit. **Children should use the device under adult supervision only. Seek medical advice immediately if a small part or a battery is swallowed.**

## Levenhuk International Lifetime Warranty

All Levenhuk telescopes, microscopes, binoculars and other optical products, except for accessories, carry a **lifetime warranty** against defects in materials and workmanship. Lifetime warranty is a guarantee on the lifetime of the product on the market. All Levenhuk accessories are warranted to be free of defects in materials and workmanship for **six months** from date of retail purchase. Levenhuk will repair or replace such product or part thereof which, upon inspection by Levenhuk, is found to be defective in materials or workmanship. As a condition to the obligation of Levenhuk to repair or replace such product, the product must be returned to Levenhuk together with proof of purchase satisfactory to Levenhuk.

For further details, please visit our web site: [www.levenhuk.com/warranty](http://www.levenhuk.com/warranty)

If warranty problems arise, or if you need assistance in using your product, contact the local Levenhuk branch.



## Обща информация

Преди да започнете работа с микроскопа, прочетете внимателно ръководството за потребителя. При правилна употреба биологичните микроскопи от серия Levenhuk MED са безопасни за здравето, живота и имуществото на потребителя, както и за околната среда, и отговарят на изискванията на международните стандарти. Тези микроскопи са предназначени за наблюдение на прозрачни обекти в предавана светлина с помощта на метода на светлото поле. Те дават добри резултати при клинични изследвания и тестове; обучителни демонстрации; бактериоскопски и цитологични изследвания в медицински и здравни заведения, лаборатории, университети; и могат да бъдат използвани за научни изследвания в областта на селското стопанство и микробиологията.

## Сглобяване на микроскопа

- Внимателно разопакувайте микроскопа и го поставете на равна повърхност.
- Свалете полиетиленовите торби и покривалото против прах от главата на окуляра.
- Монтирайте бинокулярната или тринокулярната глава и затегнете заключващия винт.
- Проверете всички елементи, включени в комплекта, и определете предназначението им.
- Свържете захранващия кабел към микроскопа и го включете в мрежата.

## Употреба

Моля, вижте фиг. 1a (бинокулярен модел) и фиг. 1b (тринокулярен модел).

- Включете захранването и осветлението ще се включи. Настройте яркостта на приблизително 70%. Поставете образеца върху предметната маса. Уверете се, че щипките държат образеца здраво на място.
- Ирисовата диафрагма трябва да се регулира съобразно с цифровата апертура на дадена леща. Най-добре е от практична гледна точка да направите ирисовата диафрагма малко по-малка от апертурата на избраната леща. Отворете или затворете ирисовата диафрагма с помощта на регулиращите винтове. Ако регулиращият винт се завърти надясно, ирисовата диафрагма е отворена докрай. **Забележка:** диафрагмата не е предназначена за регулиране на яркостта на осветлението. За да регулирате яркостта, използвайте бутона за регулиране на яркостта.
- Поставете необходимия филтър върху колектора.
- За да промените увеличението на обектива, завъртете револверната глава, докато чуete щракване.
- Уверете се, че при регулиране на фокуса лещата не докосва образеца: въртете бутона за грубо фокусиране, докато образецът не застане на разстояние около 3,175 mm (1/8") от лещата.
- Като гледате през окуляра, бавно въртете бутона за грубо фокусиране, докато успеете да видите изображението на наблюдавания образец. Завъртете бутона за фино фокусиране, за да направите изображението по-ясно. Механизмът за фино фокусиране дава възможност да фокусирате върху наблюдавания образец, като същевременно използвате големи увеличения.
- Когато използвате обектив с маслена имерсия, пространството между образеца и лещата трябва да бъде запълнено с имерсионно масло. Повдигнете кондензатора в горно положение и поставете капка масло върху лещата и върху покривното стъкло на образеца. Движете револверната глава напред-назад, за да отстраните въздушните мехурчета в маслото. След това фиксирайте лещата на обектива в работната ѝ позиция. Уверете се, че цялото пространство между лещата на обектива и образеца е запълнено с масло. След употреба подсушете лещата.
- За да регулирате позицията на механичната скала, завъртете бутона за грубо фокусиране по посока на часовниковата стрелка, ако искате да фиксирате позицията на механичната скала, или в посока, обратна на часовниковата стрелка, ако искате да я разхлабите.
- За да поставите образеца в зрителното поле, местете предметната маса хоризонтално напред-назад или наляво-надясно с помощта на бутоните за преместване на предметната маса.
- Погледнете през десния окуляр с дясното си око и регулирайте остротата на изображението с бутоните за грубо и фино фокусиране. След това погледнете през левия окуляр с лявото си око и завъртете пръстена за регулиране на диоптъра, за да изравните разликата в зрението между лявото и дясното Ви око. Запомнете настройката за бъдеща употреба. Регулирайте разстоянието между тръбите на окулярите на бинокулярната глава така, че изображението да се слее в един кръг.
- Тринокулярни модели: можете да монтирате цифровата камера към третата тръба на окуляра. Използвайте светоделителя, за да изпратите светлината към окулярите или към камерата.

## Смяна на предпазител

Изключете микроскопа от източника на захранване. Отворете държача за предпазителя, намиращ се отзад на корпуса на микроскопа с отвертка с плоска глава. Отстранете стария предпазител и монтирайте нов. Използвайте само подходящи типове предпазители. Затворете държача за предпазителя.

## Цифрова камера

Levenhuk MED D40T се предлага с цифрова камера (фиг. 2a), а Levenhuk MED D40T LCD се предлага с цифрова камера с течнокристален екран (фиг. 2b). Цифровата камера се монтира към третата тръба на окуляра и дава възможност да се наблюдават образци на екрана в най-малки детайли и истински цветове, да се правят снимки и видеоклипове и да се записват изображенията за бъдещи справки.

## Спецификации

ИД на продукт	74004	74005	74006	74007
Модел	MED 40B	MED 40T	MED D40T LCD	MED D40T
Тип	биологичен/оптичен		биологичен/оптичен, цифров	
Метод за изследване	на светлото поле		на светлото поле	
Увеличение	40–1000x		40–1000x	
Разстояние между окулярите	48–75 mm		48–75 mm	
Глава на окуляра	бинокулярна, може да се завърта на 360°, наклонена на 30°	тринокулярна, може да се завърта на 360°, наклонена на 30°	тринокулярна, може да се завърта на 360°, наклонена на 30°	
Материал на оптиката	оптично стъкло с покритие за защита от плесени		оптично стъкло с покритие за защита от плесени	
Диаметър на тръбата на окуляра	30 mm		30 mm	
Трета вертикална тръба на окуляра	–	23,2 mm	23,2 mm	
Окуляри	WF10x/22 mm (2 бр.)		WF10x/22 mm (2 бр.)	
Регулиране на диоптъра на окуляра	±5 D		±5 D	
Обективи	планахроматични с корекция до безкрайност: 4x, 10x, 40xs, 60xs, 100xs (с маслена имерсия)		планахроматични с корекция до безкрайност: 4x, 10x, 40xs, 60xs, 100xs (с маслена имерсия)	
Револверна глава	5 обектива		5 обектива	
Диапазон на движение на предметната маса	75/50 mm		75/50 mm	
Предметна маса	механична двуслойна, 180x150 mm, с механична скала		механична двуслойна, 180x150 mm, с механична скала	
Система за фокусиране	коаксиално, грубо (0,5 mm) и фино (0,002 mm) с механизъм рейка и пиньон		коаксиално, грубо (0,5 mm) и фино (0,002 mm) с механизъм рейка и пиньон	
Кондензатор	Abbe N.A. 1,25 ирисова диафрагма		Abbe N.A. 1,25 ирисова диафрагма	
Корпус	метал		метал	
Осветление	ниско (5 W светодиодно)		ниско (5 W светодиодно)	
Колектор	осветление Köhler		осветление Köhler	
Филтри	син, зелен, жълт		син, зелен, жълт	
Флакон с имерсионно масло	+		+	
Предпазител	2 бр.		2 бр.	
Захранване	100–240 V, чрез променливотоков адаптер		100–240 V, чрез променливотоков адаптер	
Цифрова камера	–		5 Мрх с течнокристален екран	18 Мрх
Захранване на камерата	–		постояннотоково 12 V/2 A, чрез променливотоков адаптер	постояннотоково 5 V, чрез USB 3.0 кабел
Допълнителни принадлежности (продават се отделно)	планахроматичен обектив с корекция до безкрайност: 20xs		планахроматичен обектив с корекция до безкрайност: 20xs	
	окуляри (D 30 mm): 5x, 12,5x, 16x, 20x		окуляри (D 30 mm): 5x, 12,5x, 16x, 20x	
	кондензатор за тъмно поле		кондензатор за тъмно поле	
	устройство за стандартен контраст		устройство за стандартен контраст	
	устройство за плоска поляризация		устройство за плоска поляризация	
	–	цифрова камера	–	

Производителят си запазва правото да прави промени на гамата продукти и спецификациите им без предварително уведомление.



**Внимание!** Не забравяйте, че напрежението в повечето европейски страни е 220–240 V. Ако искате да използвате устройството си в страна с различен стандарт на мрежово напрежение, използването на трансформатор е абсолютно необходимо. Микроскопът трябва да бъде заземен. Уверете се, че основното напрежение съответства на напрежението, посочено на корпуса на микроскопа.

## Грижи и поддръжка

Никога и при никакви обстоятелства не гледайте директно към слънцето, друг ярък източник на светлина или лазер през това устройство, тъй като това може да предизвика **ПЕРМАНЕНТНО УВРЕЖДАНЕ НА РЕТИНАТА** и може да доведе до **СЛЕПОТА**. Предприемете необходимите превантивни мерки при използване на това устройство от деца или други, които не са прочели или които не са разбрали напълно тези инструкции. След като разопаковате Вашия микроскоп и преди да го използвате за първи път, проверете дали всички компоненти и връзки са здрави и с ненарушена цялост. Не се опитвайте да разглобявате устройството самостоятелно. За ремонти и почистване, моля, обръщайте се към местния специализиран сервизен център. Предпазвайте устройството от внезапни удари и прекомерна механична сила. Не прилагайте прекомерен натиск при настройване на фокусирането. Не пренатягайте заключващите винтове. Не пипайте повърхностите на оптиката с пръсти. За почистване на отвън, използвайте само специални кърпички и течности за почистване на оптика от Levenhuk. Не използвайте корозивни течности или такива на основата на ацетон за почистване на оптиката. Абразивните частици, като напр. пясък, не трябва да бъдат забърсвани от лещите, а трябва да бъдат издухвани или изчетквани с мека четка. Не използвайте устройството за продължителни периоди от време и не го оставяйте без надзор на директна слънчева светлина. Пазете устройството далече от вода и висока влажност. Бъдете внимателни по време на наблюдения, винаги поставяйте покривалото против прах обратно на мястото му, след като сте приключили с наблюдението, за да предпазите устройството от прах и поява на петна. Ако не използвате Вашия микроскоп за продължителни периоди от време, съхранявайте лещите на обектива и окулярите отделно от микроскопа. Съхранявайте устройството на сухо и хладно място, далеч от опасни киселини и други химикали, далеч от отоплителни уреди, открит огън и други източници на високи температури. Когато използвате микроскопа, опитайте да не го използвате в близост до запалими материали или вещества (бензен, хартия, картон, пластмаса и т.н.), тъй като основата може да се нагрее по време на употреба и може да възникне опасност от пожар. Винаги изключвайте микроскопа от източника на захранване, преди да отворите основата или да смените осветителната лампа. Независимо от вида на лампата (халогенна или с нажежаема жичка) я оставете да се охлади за кратко, преди да опитате да я смените, и винаги я сменяйте с лампа от същия тип. Винаги използвайте захранване с подходящо напрежение, т.е. посоченото в спецификациите на Вашия нов микроскоп. Включването на инструмента в електрически контакт с различно напрежение ще повреди електрическата верига на микроскопа, ще изгори лампата или може дори да причини късо съединение. **Децата трябва да използват микроскопа само под надзора на възрастни. Потърсете веднага медицинска помощ, ако погълнете малка част или батерия.**

## Международна доживотна гаранция от Levenhuk

Всички телескопи, микроскопи, бинокли и други оптични продукти от Levenhuk, с изключение на аксесоарите, имат **доживотна гаранция** за дефекти в материалите и изработката. Доживотната гаранция представлява гаранция, валидна за целия живот на продукта на пазара. За всички аксесоари Levenhuk се предоставя гаранция за липса на дефекти на материалите и изработката за период от **две години** от датата на покупка на дребно. Levenhuk ще ремонтира или замени всеки продукт или част от продукт, за които след проверка от страна на Levenhuk се установи наличие на дефект на материалите или изработката. Задължително условие за задължението на Levenhuk да ремонтира или замени такъв продукт е той да бъде върнат на Levenhuk заедно с документ за покупка, който е задоволителен за Levenhuk.

За повече информация посетете нашата уебстраница: [www.levenhuk.bg/garantsiya](http://www.levenhuk.bg/garantsiya)

Ако възникнат проблеми с гаранцията или ако се нуждаете от помощ за използването на Вашия продукт, свържете се с местния представител на Levenhuk.

## Všeobecné informace

Než začnete pracovat s mikroskopem, přečtěte si pečlivě Návod k použití. Při správném používání jsou biologické mikroskopy Levenhuk řady MED bezpečné z hlediska ochrany zdraví, života i majetku spotřebitele, životního prostředí a splňují požadavky mezinárodních norem. Tyto mikroskopy jsou určeny k pozorování průhledných objektů v procházejícím světle pomocí metody jasného zorného pole. Mohou se dobře uplatnit v klinickém výzkumu a testování, při ukázkách během výuky, v bakterioskopii a cytologii v lékařských a zdravotnických zařízeních, v laboratořích i na univerzitách, a lze je použít ke klinickému výzkumu v zemědělství a mikrobiologii.

## Sestavení mikroskopu

- Mikroskop opatrně vybalte a položte na rovný povrch.
- Odstraňte plastové sáčky a prachotěsnou krytku hlavy okuláru.
- Namontujte binokulární nebo trinokulární hlavu a utáhněte pojistný šroub.
- Zkontrolujte všechny položky obsažené v sadě a definujte jejich účel.
- Připojte napájecí kabel k mikroskopu a zapojte jej.

## Použití

Viz Obr. 1a (binokulární model) a Obr. 1b (trinokulární model).

- Zapněte napájení a osvětlení se zapne. Nastavte jas přibližně na 70%. Umístěte vzorek na pracovní stůl mikroskopu. Ujistěte se, že spony drží vzorek pevně na svém místě.
- Irisová clona by měla být nastavena podle numerické clony objektivu. Osvědčenou praxí je nastavit irisovou clonu na hodnotu o něco menší než je clona zvolené čočky objektivu. Otevřete nebo zavřete irisovou clonu pomocí seřizovacích šroubů. Pokud se seřizovací šroub otočí doprava, irisová clona se zcela otevře. **Poznámka:** Tato clona není určena k nastavení jasu osvětlení. Pokud chcete seřídit jas, použijte knoflík pro nastavení jasu.
- Umístěte nezbytný filtr na vršek kolektoru.
- Pokud chcete změnit zvětšení objektivu, otáčejte revolverovým nosičem objektivů, dokud nezaklapne.
- Při úpravě zaostření se ujistěte, že se čočka objektivu nedotkla vzorku: otáčejte knoflíkem pro hrubé zaostření, dokud není vzorek ve vzdálenosti asi 3,175 mm (1/8") od čočky objektivu.
- Dívejte se do okuláru a pomalu otáčejte knoflíkem pro hrubé zaostření, dokud nevidíte obraz pozorovaného vzorku. Otočením knoflíku pro jemné zaostření se obraz zcela zaostří. Mechanismus jemného zaostření umožňuje zaostřit na pozorovaný vzorek při použití velkých zvětšení.
- Při použití imerzního objektivu by měl být prostor mezi preparátem a objektivem vyplněn imerzním olejem. Zvedněte kondenzor do horní polohy a dejte kapku oleje na čočku a krycí sklíčko vzorku. Pohybuje revolverovým nosičem objektivů tam a zpět, abyste se zbavili vzduchových bublin v oleji. Poté objektiv upevněte do pracovní polohy. Ujistěte se, že olej zaplňuje celý prostor mezi objektivem a vzorkem. Po použití objektivů otřete do sucha.
- Pokud chcete upravit polohu mechanického měřítka, otáčejte knoflíkem pro hrubé zaostření ve směru hodinových ručiček pro zařizování polohy mechanického měřítka, nebo proti směru hodinových ručiček pro uvolnění této polohy.
- K umístění vzorku do zorného pole posouvejte pracovní stůl vodorovně dozadu a dopředu nebo doleva a doprava pomocí otočných knoflíků stolku.
- Dívejte se pravým okem do pravého okuláru a upravte ostrost obrazu pomocí knoflíků pro hrubé a jemné zaostření. Poté se dívejte levým okem do levého okuláru a otáčejte kroužkem dioptrické korekce k vyrovnání rozdílu mezi viděním levého a pravého oka. Zapamatujte si toto nastavení pro budoucí použití. Nastavte vzdálenost mezi tubusy okuláru binokulární hlavy tak, aby se obraz soustředil do jednoho kruhu.
- Trinokulární modely: Umožňují instalaci digitálního fotoaparátu do tubusu třetího okuláru. Pomocí děliče paprsků pošlete světlo do okulárů nebo do fotoaparátu.

## Výměna pojistky

Odpojte mikroskop od zdroje napájení. Plochým šroubovákem otevřete držák pojistky umístěný na zadní straně těla mikroskopu. Vyjměte starou pojistku a nainstalujte novou. Používejte pouze vhodné typy pojistek. Zavřete držák pojistky.

## Digitální fotoaparát

Levenhuk MED D40T je dodáván s digitálním fotoaparátem (Obr. 2a), Levenhuk MED D40T LCD je dodáván s digitálním fotoaparátem s LCD obrazovkou (Obr. 2b). Do tubusu třetího okuláru je nainstalován digitální fotoaparát, který umožňuje pozorovat vzorky na obrazovce v nádherných detailech a skutečných barvách, pořizovat fotografie a videa a ukládat snímky pro budoucí použití.

## Technické údaje

ID produktu	74004	74005	74006	74007
Model	MED 40B	MED 40T	MED D40T LCD	MED D40T
Typ	biologický/optický		biologický/optický, digitální	
Metoda pozorování	jasné pole		jasné pole	
Zvětšení	40–1000x		40–1000x	
Osová vzdálenost mezi tubusy	48–75 mm		48–75 mm	
Hlava okuláru	binokulární, otočná o 360°, nakloněná o 30°	trinokulární, otočná o 360°, nakloněná o 30°	trinokulární, otočná o 360°, nakloněná o 30°	
Materiál optiky	optické sklo s protiplíšňovou povrchovou úpravou		optické sklo s protiplíšňovou povrchovou úpravou	
Průměr tubusu okuláru	30 mm		30 mm	
Třetí vertikální tubus okuláru	–	23,2 mm	23,2 mm	
Okuláry	WF10x/22 mm (2 ks)		WF10x/22 mm (2 ks)	
Dioptrická korekce okuláru	±5 D		±5 D	
Objektivy	rovinné s korekcí na nekonečno: 4x, 10x, 40xs, 60xs, 100xs (pro pozorování s olejovou imerzí)		rovinné s korekcí na nekonečno: 4x, 10x, 40xs, 60xs, 100xs (pro pozorování s olejovou imerzí)	
Revolverový nosič objektivů	5 objektivů		5 objektivů	
Rozsah posuvu pracovního stolku	75/50 mm		75/50 mm	
Pracovní stolek	mechanický se dvěma vrstvami, 180x150 mm, s mechanickým měřítkem		mechanický se dvěma vrstvami, 180x150 mm, s mechanickým měřítkem	
Systém ostření	koaxiální, hrubé (0,5 mm) a jemné (0,002 mm) s hřebenovým mechanismem		koaxiální, hrubé (0,5 mm) a jemné (0,002 mm) s hřebenovým mechanismem	
Kondenzor	Abbeův N.A. 1,25 s irisovou clonou		Abbeův N.A. 1,25 s irisovou clonou	
Tělo	kov		kov	
Osvětlení	spodní (5 W LED) s nastavením jasu		spodní (5 W LED) s nastavením jasu	
Kolektor	Köhlerovo osvětlení		Köhlerovo osvětlení	
Filtry	modrý, zelený, žlutý		modrý, zelený, žlutý	
Nádobka s imerzním olejem	+		+	
Pojistka	2 ks		2 ks	
Napájení	100–240 V, prostřednictvím AC adaptéru		100–240 V, prostřednictvím AC adaptéru	
Digitální fotoaparát	–		5 Mpx s LCD obrazovkou	18 Mpx
Napájecí zdroj fotoaparátu	–		DC 12 V/2 A, prostřednictvím AC adaptéru	DC 5 V, prostřednictvím kabelu USB 3.0
Volitelné příslušenství (prodáváno samostatně)	<i>rovinný objektiv s korekcí na nekonečno: 20xs</i>		<i>rovinný objektiv s korekcí na nekonečno: 20xs</i>	
	<i>okuláry (D 30 mm): 5x, 12,5x, 16x, 20x</i>		<i>okuláry (D 30 mm): 5x, 12,5x, 16x, 20x</i>	
	<i>kondenzor tmavého pole</i>		<i>kondenzor tmavého pole</i>	
	<i>standardní kontrastní zařízení</i>		<i>standardní kontrastní zařízení</i>	
	<i>zařízení lineární polarizace</i>		<i>zařízení lineární polarizace</i>	
	–	<i>digitální fotoaparát</i>	–	

Výrobce si vyhrazuje právo bez předchozího upozornění měnit sortiment a specifikace výrobků.



**Upozornění!** Správné síťové napětí naleznete v tabulce technických parametrů. Bez použití měniče se nikdy nepokoušejte připojit zařízení dimenzované na napětí 220 V do zásuvky poskytující napětí 110 V a opačně. Mějte na paměti, že síťové napětí ve většině evropských zemí je 220–240 V, zatímco v USA a v Kanadě je to 110 V. Mikroskop musí být uzemněn. Ujistěte se, že síťové napětí souhlasí s napětím uvedeným na těle mikroskopu.

## Péče a údržba

Nikdy, za žádných okolností se tímto přístrojem nedívejte přímo do slunce, jiného světelného zdroje nebo laseru, neboť hrozí nebezpečí TRVALÉHO POŠKOZENÍ SÍTNICE a případně i OSLEPNUTÍ. Při použití tohoto přístroje dětmi nebo osobami, které tento návod nečetly nebo s jeho obsahem nebyly plně srozuměny, uplatněte nezbytná preventivní opatření. Po vybalení mikroskopu a před jeho prvním použitím zkontrolujte neporušenost jednotlivých komponent a spojů. Z žádného důvodu se nepokoušejte přístroj rozebírat. S opravami veškerého druhu se obraťte na své místní specializované servisní středisko. Přístroj chraňte před prudkými nárazy a nadměrným mechanickým namáháním. Při zaostřování nevyvíjejte nadměrný tlak. Neutahujte šrouby konstrukce příliš silně. Nedotýkejte se svými prsty povrchů optických prvků. K vyčištění vnějších částí přístroje použijte výhradně speciální čisticí ubrousky a speciální nástroje k čištění optiky dodávané společností Levenhuk. K čištění optiky nepoužívejte žádné žíraviny ani kapaliny na acetonové bázi. Abrazivní částice, například písek, by se neměly z čoček otírat, ale sfouknout nebo smést měkkým kartáčkem. Přístroj příliš dlouho nepoužívejte ani neopouštějte bez dozoru na přímém slunci. Chraňte přístroj před stykem s vodou. Při pozorování dbejte na opatrnost; po skončení pozorování vždy nasadte ochranný kryt, abyste mikroskop ochránili před prachem a jiným znečištěním. Pokud svůj mikroskop nebudete delší dobu používat, uložte čočky objektivu a okuláru odděleně od samotného mikroskopu. Přístroj ukládejte na suchém, chladném místě, mimo dosah nebezpečných kyselin nebo jiných chemikálií, topných těles, otevřeného ohně a jiných zdrojů vysokých teplot. Mikroskop nepoužívejte v blízkosti hořlavých materiálů nebo látek (benzín, papír, lepenka, plast apod.), neboť stativ se může při práci zahřívat a vyvolávat riziko požáru. Před otevřením stativu nebo výměnou žárovky osvětlení vždy mikroskop odpojte od zdroje napájení. Bez ohledu na typ žárovky (halogenová nebo obyčejná) ji nechejte před výměnou nějakou dobu vychladnout a vždy ji vyměňujte za žárovku stejného typu. Vždy používejte napájení o správném napětí tak, jak je uvedeno v technických údajích vašeho nového mikroskopu. Připojení přístroje do odlišné zásuvky může vést k poškození elektronických obvodů mikroskopu, spálení žárovky nebo dokonce vyvolat zkrat. Děti by měly mikroskop používat pouze pod dohledem dospělé osoby. Při náhodném požití malé součásti nebo baterie ihned vyhledejte lékařskou pomoc.

## Mezinárodní doživotní záruka Levenhuk

Na veškeré teleskopy, mikroskopy, triedry a další optické výrobky značky Levenhuk, s výjimkou příslušenství, se poskytuje **doživotní záruka** pokrývající vady materiálu a provedení. Doživotní záruka je záruka platná po celou dobu životnosti produktu na trhu. Na veškeré příslušenství značky Levenhuk se poskytuje záruka toho, že je dodáváno bez jakýchkoli vad materiálu a provedení, a to po dobu **dvou let** od data zakoupení v maloobchodní prodejně. Tato záruka vám v případě splnění všech záručních podmínek dává nárok na bezplatnou opravu nebo výměnu výrobku značky Levenhuk v libovolné zemi, v níž se nachází pobočka společnosti Levenhuk.

Další informace – navštivte naše webové stránky: [www.levenhuk.cz/zaruka](http://www.levenhuk.cz/zaruka)

V případě problémů s uplatněním záruky, nebo pokud budete potřebovat pomoc při používání svého výrobku, obraťte se na místní pobočku společnosti Levenhuk.



## Allgemeine Informationen

Machen Sie sich gründlich mit der Bedienungsanleitung vertraut, bevor Sie mit Ihrem Mikroskop arbeiten. Die Levenhuk-Biologiemikroskope der MED-Serie sind bei richtigem Einsatz sicher in der Anwendung, erfüllen Vorgaben internationaler Standards. Die Mikroskope sind zur Beobachtung transparenter Objekte im Durchlicht gemäß Hellfeld-Verfahren vorgesehen. Die Instrumente eignen sich für klinische Forschung und Tests, zu Demonstrationszwecken, zur Bakterio- und Zytoproskopie im medizinischen Umfeld, zum Einsatz in Laboratorien, Universitäten und Schulen sowie zur wissenschaftlichen Forschung bei Agrikultur und Mikrobiologie.

## Mikroskop montieren

- Packen Sie das Mikroskop sorgfältig aus, stellen Sie das Instrument auf eine flache Unterlage.
- Nehmen Sie sämtliche Kunststoffbeutel und die Staubschutzhaube vom Okularkopf ab.
- Bringen Sie den Binokular-, Trinokularkopf oder LCD-Bildschirm an, ziehen Sie die Fixierschraube an.
- Schauen Sie sich alle mitgelieferten Komponenten an, machen Sie sich mit deren Zweck vertraut.
- Schließen Sie das Stromversorgungskabel an das Mikroskop an, stecken Sie den Netzstecker in die Steckdose.

## Bedienung

Schauen Sie sich die Abbildungen 1a (Binokularmodell) oder 1b (Trinokularmodell) an.

- Schalten Sie das Gerät ein, die Beleuchtung schaltet sich mit ein. Stellen Sie die Helligkeit auf etwa 70% ein. Legen Sie die Probe auf den Objektstisch. Achten Sie darauf, dass die Probe unverrückbar von den Clips gehalten wird.
- Stellen Sie die Irisblende nach Bedarf ein. Am besten stellen Sie die Irisblende etwas kleiner als die Öffnung des ausgewählten Objektivs ein. Mit der Einstellschraube öffnen und schließen Sie die Irisblende. Wenn Sie die Einstellschraube nach rechts drehen, öffnet sich die Irisblende. **Hinweis:** Die Irisblende ist nicht zur Helligkeitsregelung der Beleuchtung gedacht. Ändern Sie die Beleuchtungshelligkeit mit dem Helligkeitsregler.
- Setzen Sie den erforderlichen Filter auf den Kollektor.
- Zum Ändern der Objektivvergrößerung drehen Sie den Revolver, bis er einrastet.
- Achten Sie darauf, dass das Objektiv die Probe beim Scharfstellen nicht berührt: drehen Sie den Grobtrieb, bis sich die Probe etwa 3 mm von der Objektivlinse entfernt befindet.
- Schauen Sie durch das Okular, drehen Sie den Grobtrieb langsam, bis Sie die Probe erkennen können. Stellen Sie die Abbildung nun mit dem Feintrieb scharf ein. Der Feintrieb ermöglicht gefühlvolles Scharfstellen bei höheren Vergrößerungen.
- Wenn Sie mit Immersionsöl arbeiten, muss der Raum zwischen Probe und Objektivlinse mit Immersionsöl gefüllt sein. Bringen Sie den Kondensator in die obere Position, geben Sie einen Tropfen Öl auf die Objektivlinse und auf das Deckglas der Probe. Bewegen Sie den Revolver zum Entfernen von Luftblasen im Öl leicht vor und zurück. Anschließend fixieren Sie das Objektiv in seiner Arbeitsposition. Achten Sie darauf, dass das Öl den gesamten Raum zwischen Objektiv und Objekt ausfüllt. Wischen Sie die Objektivlinse nach der Untersuchung wieder trocken.
- Um die Probe ins Sehfeld zu holen, bewegen Sie den Objektstisch mit den Tischverstellungsknöpfen horizontal nach vorne, hinten, links oder rechts.
- Schauen Sie mit dem rechten Auge durch das rechte Okular, stellen Sie die Schärfe mit Grobtrieb und Feintrieb ein. Anschließend schauen Sie mit dem linken Auge durch das linke Okular. Verstellen Sie den Dioptrienring, bis Sie auch mit dem linken Auge scharf sehen. Merken Sie sich diese Einstellung für die Zukunft. Stellen Sie den Abstand der Okulartuben am Binokularkopf so ein, dass sich ein einziges, rundes Bild ergibt (keine "Acht" wie in Spielfilmen).
- Trinokularmodelle: der dritte Okulartubus dient zur Aufnahme einer Digitalkamera. Der Strahlteiler sendet das Licht zu den Okularen oder zur Kamera.

## Sicherung wechseln

Trennen Sie das Mikroskop von der Stromversorgung. Öffnen Sie den Sicherungshalter an der Rückseite des Mikroskops mit einem Schlitzschraubendreher. Nehmen Sie die alte Sicherung heraus, setzen Sie eine neue ein. Verwenden Sie nur Sicherungen des passenden Typs. Schließen Sie den Sicherungshalter.

## Digitalkamera

Das Levenhuk MED D40T wird mit einer Digitalkamera (Abbildung 2a), das Levenhuk MED D40T LCD mit einer Digitalkamera und LCD-Bildschirm (Abbildung 2b) geliefert. Die Digitalkamera wird im dritten Okulartubus installiert, ermöglicht detailreiche Probenbeobachtungen in realistischen Farben auf dem großen Bildschirm. Zusätzlich können Sie Fotos und Videos aufzeichnen, zur späteren Verwendung natürlich auch speichern.

## Technische Angaben

Artikelnummer	74004	74005	74006	74007
Modell	MED 40B	MED 40T	MED D40T LCD	MED D40T
Typ	biologisch/optisch		biologisch/optisch, digital	
Mikroskopieverfahren	Hellfeld		Hellfeld	
Vergrößerung	40- bis 1000-fach		40- bis 1000-fach	
Pupillenabstand	48–75 mm		48–75 mm	
Okularkopf	Binokular, um 360° drehbar, 30° Neigung	Trinokular, um 360° drehbar, 30° Neigung	Trinokular, um 360° drehbar, 30° Neigung	
Optikmaterial	optisches Glas mit antifungierender Beschichtung		optisches Glas mit antifungierender Beschichtung	
Okulartubusdurchmesser	30 mm		30 mm	
Dritter vertikaler Okulartubus	–	23,2 mm	23,2 mm	
Okulare	WF10x/22 mm (2 Stck.)		WF10x/22 mm (2 Stck.)	
Okular-Dioptrienausgleich	±5 D		±5 D	
Objektive	Unendlich-Plan: 4-, 10-, 40-, 60-, 100-fach (Öl)		Unendlich-Plan: 4-, 10-, 40-, 60-, 100-fach (Öl)	
Revolver	5 Objektive		5 Objektive	
Objekttisch-Bewegungsbereich	75/50 mm		75/50 mm	
Objekttisch	mechanischer Kreuztisch, 180x150 mm, mit physischer Skala		mechanischer Kreuztisch, 180x150 mm, mit physischer Skala	
Fokussierung	koaxial, Grobtrieb (0,5 mm) und Feintrieb (0,002 mm), Zahnstangenantrieb		koaxial, Grobtrieb (0,5 mm) und Feintrieb (0,002 mm), Zahnstangenantrieb	
Kondensator	Abbe N.A., 1,25-Irisblende		Abbe N.A., 1,25-Irisblende	
Gehäuse	Metall		Metall	
Beleuchtung	von unten (5-W-LED) mit Helligkeitsregelung		von unten (5-W-LED) mit Helligkeitsregelung	
Kollektor	Köhler-Beleuchtung		Köhler-Beleuchtung	
Filter	blau, gelb, grün		blau, gelb, grün	
Fläschchen mit Immersionsöl	+		+	
Sicherung	2 Stck.		2 Stck.	
Stromversorgung	100–240 V, über Netzteil		100–240 V, über Netzteil	
Digitalkamera	–		5 Megapixel mit LCD-Bildschirm	18 Megapixel
Kamerastromversorgung	–		12 V Gleichspannung/2 A, über Netzteil	5 V Gleichspannung, per USB-3.0-Kabel
Weiteres Zubehör (separat erhältlich)	<i>Unendlich-Planobjektiv: 20xs</i>		<i>Unendlich-Planobjektiv: 20xs</i>	
	<i>Okulare (30 mm): 5-, 12,5-, 16-, 20-fach</i>		<i>Okulare (30 mm): 5-, 12,5-, 16-, 20-fach</i>	
	<i>Dunkelfeldkondensator</i>		<i>Dunkelfeldkondensator</i>	
	<i>Standardkontrastgerät</i>		<i>Standardkontrastgerät</i>	
	<i>Polarisationsgerät</i>		<i>Polarisationsgerät</i>	
	–	Digitalkamera	–	

Der Hersteller behält sich das Recht vor, ohne Vorankündigung Änderungen an der Produktpalette und den technischen Daten vorzunehmen.



**VORSICHT!** In den meisten europäischen Ländern beträgt die Netzspannung 220–240 V. Soll das Gerät in einem Land mit abweichender Netzspannung eingesetzt werden, ist unbedingt ein Spannungswandler zu verwenden. Das Mikroskop muss geerdet werden. Vergewissern Sie sich, dass die am Mikroskopgehäuse angegebene Spannung mit Ihrer örtlichen Versorgungsspannung übereinstimmt.

## Pflege und Wartung

Richten Sie das Instrument unter keinen Umständen direkt auf die Sonne, andere helle Lichtquellen oder Laserquellen. Es besteht die Gefahr **DAUERHAFTER NETZZHAUTSCHÄDEN** und **ERBLINDUNGSGEFAHR**. Treffen Sie geeignete Vorsichtsmaßnahmen, wenn Kinder oder Menschen das Instrument benutzen, die diese Anleitung nicht gelesen bzw. verstanden haben. Prüfen Sie nach dem Auspacken Ihres Mikroskops und vor der ersten Verwendung die einzelnen Komponenten und Verbindungen auf ihre Beständigkeit. Versuchen Sie nicht, das Instrument eigenmächtig auseinanderzunehmen. Wenden Sie sich für Reparaturen oder zur Reinigung an ein spezialisiertes Servicecenter vor Ort. Schützen Sie das Instrument vor plötzlichen Stößen und anderen mechanischen Belastungen. Üben Sie beim Fokussieren keinen übermäßigen Druck aus. Wenden Sie keine übermäßige Kraft auf die Feststellschrauben und Fixierungsschrauben an. Berühren Sie die optischen Oberflächen nicht mit den Fingern. Verwenden Sie zur äußerlichen Reinigung des Instruments ausschließlich die speziellen Reinigungstücher und das spezielle Optik-Reinigungszubehör von Levenhuk. Reinigen Sie die Optik nicht mit korrodierenden Flüssigkeiten oder Flüssigkeiten auf Acetonbasis. Schleifkörper wie Sandkörner dürfen nicht abgewischt werden. Sie können sie wegblasen oder einen weichen Pinsel verwenden. Das Instrument ist nicht für Dauerbetrieb ausgelegt. Lassen Sie das Instrument nicht in direktem Sonnenlicht zurück. Halten Sie das Instrument von Wasser und hoher Feuchtigkeit fern. Lassen Sie Sorgfalt bei der Beobachtung walten und setzen Sie nach Abschluss der Beobachtung die Staubabdeckung wieder auf, um das Gerät vor Staub und Verschmutzungen zu schützen. Bewahren Sie bei längeren Phasen der Nichtbenutzung die Objektivlinsen und Okulare getrennt vom Mikroskop auf. Lagern Sie das Instrument an einem trockenen, kühlen Ort, der frei von Staub, gefährlichen Säuren und anderen Chemikalien ist, und in ausreichendem Abstand zu Heizgeräten, offenem Feuer und anderen Hochtemperaturquellen. Setzen Sie das Mikroskop nach Möglichkeit nicht in der Nähe brennbarer Materialien oder Substanzen (Benzen, Papier, Karton, Plastik usw.) ein, da sich der Sockel bei der Verwendung erhitzen kann und dies bei Anwesenheit brennbarer Stoffe ein Brandrisiko darstellt. Trennen Sie das Mikroskop immer vom Strom, bevor Sie den Sockel öffnen oder die Beleuchtungslampe austauschen. Lassen Sie sowohl Glühlampen als auch Halogenlampen vor dem Auswechseln zunächst abkühlen, und ersetzen Sie sie stets durch Lampen desselben Typs. Verwenden Sie stets eine Stromquelle mit der Spannung, die in den technischen Angaben zu Ihrem Mikroskop spezifiziert ist. Wird das Instrument an eine Steckdose mit abweichender Spannung angeschlossen, ist mit Beschädigung der elektrischen Schaltkreise des Mikroskops, Durchbrennen der Lampe oder sogar Kurzschlüssen zu rechnen. Kinder dürfen das Mikroskop nur unter Aufsicht Erwachsener verwenden. **Bei Verschlucken eines Kleinteils oder einer Batterie umgehend ärztliche Hilfe suchen!**

## Lebenslange internationale Garantie

Levenhuk garantiert für alle Teleskope, Mikroskope, Ferngläser und anderen optischen Erzeugnisse mit Ausnahme von Zubehör **lebenslanglich** die Freiheit von Material- und Herstellungsfehlern. Die lebenslange Garantie ist eine Garantie, die für die gesamte Lebensdauer des Produkts am Markt gilt. Für Levenhuk-Zubehör gewährleistet Levenhuk die Freiheit von Material- und Herstellungsfehlern innerhalb von **zwei Jahren** ab Kaufdatum. Produkte oder Teile davon, bei denen im Rahmen einer Prüfung durch Levenhuk ein Material- oder Herstellungsfehler festgestellt wird, werden von Levenhuk repariert oder ausgetauscht. Voraussetzung für die Verpflichtung von Levenhuk zu Reparatur oder Austausch eines Produkts ist, dass dieses zusammen mit einem für Levenhuk ausreichenden Kaufbeleg an Levenhuk zurückgesendet wird.

Weitere Einzelheiten entnehmen Sie bitte unserer Website: [www.levenhuk.de/garantie](http://www.levenhuk.de/garantie)

Bei Problemen mit der Garantie, oder wenn Sie Unterstützung bei der Verwendung Ihres Produkts benötigen, wenden Sie sich an die lokale Levenhuk-Niederlassung.

## Información general

Lea detenidamente el manual del usuario antes de comenzar a trabajar con un microscopio. Los microscopios biológicos de la serie Levenhuk MED son seguros para el consumidor y el medio ambiente cuando se usan debidamente, y cumplen los requisitos de las normas internacionales. Estos microscopios están diseñados para observar objetos transparentes con luz transmitida mediante la técnica de campo claro. Mostrano buone prestazioni nella ricerca clinica e nei test, per le dimostrazioni didattiche, la batterioscopia e l'osservazione di preparati cellulari in ambiente medico e ospedaliero, in laboratori, università e scuole; è possibile utilizzarli anche per la ricerca scientifica per le scienze agrarie e la microbiologia.

## Montaje del microscopio

- Desempaquete el microscopio con cuidado y colóquelo sobre una superficie plana.
- Retire las bolsas de plástico y la cubierta contra el polvo del cabezal.
- Instale el cabezal binocular o trinocular y apriete el tornillo de bloqueo.
- Examine todos los artículos incluidos en el kit y determine su función.
- Conecte el cable de alimentación al microscopio y a la toma de corriente.

## Utilización

Consulte la figura 1a (modelo binocular) y la figura 1b (modelo trinocular).

- Encienda la alimentación y la iluminación se encenderá. Establezca el brillo en aproximadamente el 70%. Coloque la muestra en la platina. Asegúrese de que las pinzas sostengan la muestra firmemente en su lugar.
- El diafragma iris se debe ajustar de acuerdo con la apertura numérica de la lente seleccionada. La práctica recomendada es hacer que la apertura del diafragma iris sea un poco más pequeña que la apertura de la lente seleccionada. Abra o cierre el diafragma iris con los tornillos de ajuste. Si el tornillo de ajuste está girado hacia la derecha, el diafragma iris está completamente abierto. **Nota:** el diafragma no está diseñado para ajustar el brillo de la iluminación. Para ajustar el brillo, utilice el mando de ajuste del brillo.
- Coloque el filtro necesario encima de la lente colectora.
- Para cambiar el factor de ampliación del objetivo, gire el revólver giratorio hasta que quede encajado.
- Tenga cuidado de que la lente no toque la muestra cuando ajuste el enfoque: gire el mando de enfoque aproximado hasta que la muestra esté a unos 3,175 mm de distancia de la lente.
- Mientras mira a través de ocular, gire lentamente el mando de enfoque aproximado hasta que pueda ver la imagen de la muestra observada. Gire el mando de enfoque preciso para que imagen sea nítida. El mecanismo de enfoque preciso le permite enfocar en la muestra observada cuando utiliza grandes aumentos.
- Cuando utiliza un objetivo de inmersión en aceite, el espacio entre la muestra y la lente se debe llenar con aceite de inmersión. Coloque el condensador en la posición alta y coloque una gota de aceite en la lente y en el cubreobjetos de la muestra. Mueva el revólver giratorio hacia adelante y hacia atrás para eliminar las burbujas de aire presentes en el aceite. Luego, fije la lente objetivo en su posición de trabajo. Asegúrese de que el aceite llene todo el espacio entre la lente objetivo y la muestra. Después de su uso, seque la lente.
- Para ajustar la posición del micrómetro mecánico, gire el mando de enfoque aproximado en sentido horario si desea fijar la posición del micrómetro mecánico, o en sentido antihorario si desea aflojarla.
- Para colocar la muestra en el campo de visión, mueva la platina horizontalmente hacia adelante y hacia atrás o hacia la izquierda y hacia la derecha mediante los mandos de movimiento de la platina.
- Mire a través del ocular derecho con su ojo derecho y ajuste la nitidez de la imagen con los mandos de enfoque aproximado y enfoque preciso. Luego, mire a través del ocular izquierdo con su ojo izquierdo y gire el anillo de ajuste de dioptrías para igualar la diferencia entre la visión de sus ojos izquierdo y derecho. Registre las posiciones de ajuste para un uso futuro. Ajuste la distancia entre los tubos oculares del cabezal binocular para que la imagen se fusione y forme un solo círculo.
- Modelos trinoculares: puede instalar la cámara digital en el tercer tubo ocular. Utilice el divisor del haz de luz para enviar la luz a los oculares o a la cámara.

## Reemplazo de fusibles

Desenchufe el microscopio de la fuente de alimentación. Abra el portafusibles ubicado en la parte posterior del cuerpo del microscopio con un destornillador de cabeza plana. Retire el fusible antiguo e instale uno nuevo. Utilice solo los tipos apropiados de fusibles. Cierre el portafusibles.

## Cámara digital

El modelo Levenhuk MED D40T viene con una cámara digital (fig. 2a), el modelo Levenhuk MED D40T LCD viene con una cámara digital provista de una pantalla LCD (fig. 2b). La cámara digital se instala en el tercer tubo ocular y permite observar especímenes en la pantalla con gran detalle y colores naturales, tomar fotos y grabar vídeos, y guardar las imágenes para una consulta futura.

## Especificaciones

ID de producto	74004	74005	74006	74007
Modelo	MED 40B	MED 40T	MED D40T LCD	MED D40T
Tipo	biológico/óptico		biológico/óptico, digital	
Método de observación	campo claro		campo claro	
Ampliación:	40–1000x		40–1000x	
Distancia interpupilar	48–75 mm		48–75 mm	
Cabezal	binocular, giratorio 360°, inclinado a 30°	trinocular, giratorio 360°, inclinado a 30°	trinocular, giratorio 360°, inclinado a 30°	
Material de la óptica	vidrio óptico con revestimiento antifúngico		vidrio óptico con revestimiento antifúngico	
Diámetro del tubo ocular	30 mm		30 mm	
Tercer tubo ocular vertical	–	23,2 mm	23,2 mm	
Oculares	WF10x/22 mm (2 unidades)		WF10x/22 mm (2 unidades)	
Ajuste de dioptrías del ocular	±5 D		±5 D	
Objetivos	plano de óptica infinita: 4x, 10x, 40xs, 60xs, 100xs (aceite)		plano de óptica infinita: 4x, 10x, 40xs, 60xs, 100xs (aceite)	
Revólver giratorio	5 objetivos		5 objetivos	
Rango de desplazamiento de la platina	75/50 mm		75/50 mm	
Platina	mecánica, de doble capa, 180x150 mm, con micrómetro mecánico		mecánica, de doble capa, 180x150 mm, con micrómetro mecánico	
Sistema de enfoque	coaxial, aproximado (0,5 mm) y preciso (0,002 mm) con mecanismo de cremallera		coaxial, aproximado (0,5 mm) y preciso (0,002 mm) con mecanismo de cremallera	
Condensador	Abbe N.A. 1,25 con diafragma iris		Abbe N.A. 1,25 con diafragma iris	
Cuerpo	metal		metal	
Iluminación	inferior (LED de 5 W) con ajuste del brillo		inferior (LED de 5 W) con ajuste del brillo	
Lente colectora	Iluminación Köhler		Iluminación Köhler	
Filtros	azul, verde, amarillo		azul, verde, amarillo	
Tubo de aceite de inmersión	+		+	
Fusible	2 unidades		2 unidades	
Fuente de alimentación	100–240 V, a través del adaptador de CA		100–240 V, a través del adaptador de CA	
Cámara digital	–		5 Mpx con pantalla LCD	18 Mpx
Fuente de alimentación de la cámara	–		CC 12 V/2 A, a través del adaptador de CA	CC 5 V, a través del cable USB 3.0
Accesorios opcionales (se venden por separado)	<i>objetivo plano de óptica infinita: 20xs</i>		<i>objetivo plano de óptica infinita: 20xs</i>	
	<i>oculares (D 30 mm): 5x, 12,5x, 16x, 20x</i>		<i>oculares (D 30 mm): 5x, 12,5x, 16x, 20x</i>	
	<i>condensador de campo oscuro</i>		<i>condensador de campo oscuro</i>	
	<i>dispositivo de contraste estándar</i>		<i>dispositivo de contraste estándar</i>	
	<i>dispositivo de polarización simple</i>		<i>dispositivo de polarización simple</i>	
	–	<i>cámara digital</i>	–	

El fabricante se reserva el derecho de realizar cambios en la gama de productos y en las especificaciones sin previo aviso.



**Advertencia!** Tenga en cuenta que la tensión de red en la mayor parte de los países europeos es 220–240 V. Si va a utilizar este aparato en un país con una tensión de red diferente, recuerde que es absolutamente necesario utilizar un convertidor. El microscopio debe tener conexión a tierra. Asegúrese de que el voltaje de la red coincida con el voltaje indicado en el cuerpo del microscopio.

## Cuidado y mantenimiento

**Nunca, bajo ninguna circunstancia, mire directamente al sol, a otra fuente de luz intensa o a un láser a través de este instrumento, ya que esto podría causar DAÑO PERMANENTE EN LA RETINA y CEGUERA.** Tome las precauciones necesarias si utiliza este instrumento acompañado de niños o de otras personas que no hayan leído o que no comprendan totalmente estas instrucciones. Tras desembalar el microscopio y antes de utilizarlo por primera vez, compruebe el estado y la durabilidad de cada componente y cada conexión. No intente desmontar el instrumento usted mismo bajo ningún concepto, ni siquiera para limpiar el espejo. Si necesita repararlo o limpiarlo, contacte con el servicio técnico especializado que corresponda a su zona. Proteja el instrumento de impactos súbitos y de fuerza mecánica excesiva. No aplique una presión excesiva al ajustar el foco. No apriete demasiado los tornillos de bloqueo. No toque las superficies ópticas con los dedos. Para limpiar el exterior del instrumento, utilice únicamente los paños y herramientas de limpieza especiales de Levenhuk. No limpie las superficies ópticas con fluidos corrosivos ni a base de acetonas. No limpie las partículas abrasivas, como por ejemplo arena, con un paño. Únicamente soplelas o bien pase un cepillo blando. No utilice este dispositivo durante períodos largos de tiempo ni lo deje sin atender bajo la luz directa del sol. Protéjalo del agua y la alta humedad. Tenga cuidado durante las observaciones y cuando termine recuerde volver a colocar la cubierta para proteger el dispositivo del polvo y las manchas. Si no va a utilizar el microscopio durante períodos largos de tiempo, guarde las lentes del objetivo y los oculares por separado del microscopio. Guarde el instrumento en un lugar seco y fresco, alejado de ácidos peligrosos y otros productos químicos, radiadores, de fuego y de otras fuentes de altas temperaturas. Cuando uses el microscopio intenta no hacerlo cerca de materiales o sustancias inflamables (benceno, papel, cartón, plástico, etc.) ya que la base puede calentarse con el uso y suponer un riesgo de incendio. Desconecta siempre el microscopio de la fuente de alimentación antes de abrir la base o cambiar la bombilla. Independientemente del tipo de lámpara (halógena o incandescente), dale tiempo de enfriarse antes de cambiarla y sustitúyela siempre por otra del mismo tipo. Utiliza siempre una fuente de alimentación con el voltaje apropiado, el indicado en las especificaciones de tu nuevo microscopio. Si conectas el instrumento a un enchufe distinto podrías dañar el circuito eléctrico, fundir la lámpara o incluso provocar un cortocircuito. Los niños únicamente deben utilizar este microscopio bajo la supervisión de un adulto. **En el caso de que alguien se trague una pieza pequeña o una pila, busque ayuda médica inmediatamente.**

## Garantía internacional de por vida Levenhuk

Todos los telescopios, microscopios, prismáticos y otros productos ópticos de Levenhuk, excepto los accesorios, cuentan con una **garantía de por vida contra** defectos de material y de mano de obra. La garantía de por vida es una garantía a lo largo de la vida del producto en el mercado. Todos los accesorios Levenhuk están garantizados contra defectos de material y de mano de obra durante **dos años** a partir de la fecha de compra en el minorista. Levenhuk reparará o reemplazará cualquier producto o pieza que, una vez inspeccionada por Levenhuk, se determine que tiene defectos de materiales o de mano de obra.

Para que Levenhuk pueda reparar o reemplazar estos productos, deben devolverse a Levenhuk junto con una prueba de compra que Levenhuk considere satisfactoria.

Para más detalles visite nuestra página web: [www.levenhuk.es/garantia](http://www.levenhuk.es/garantia)

En caso de problemas con la garantía o si necesita ayuda en el uso de su producto, contacte con su oficina de Levenhuk más cercana.



## Általános Információk

Figyelmesen olvassa el a felhasználói kézikönyvet, mielőtt dolgozni kezdene a mikroszkóppal. A Levenhuk MED sorozatú biológiai mikroszkópok normál használat esetén a vásárló egészségére, életére, tulajdonára és a környezetre nem ártalmasak, továbbá megfelelnek a nemzetközi szabványoknak. A mikroszkópokat áteső fényben történő, világos látóterű módszert használó megfigyelésre tervezték. Jól teljesítenek klinikai kutatásban és vizsgálatokban; oktatási bemutatókban; orvosi és egészségügyi intézményekben, laboratóriumokban, egyetemeken, iskolákban; mezőgazdaságban és mikrobiológiában tudományos kutatáshoz használhatók.

## A mikroszkóp összeszerelése

- Óvatosan csomagolja ki a mikroszkópot és helyezze egyenes felületre.
- Távolítsa el a műanyag zacskókat és a szemlencse fejrészről a porvédő fedelet.
- Szerelje fel az kettő-, vagy háromszemlencsés fejrészt és húzza meg a szorítócsavart.
- Vizsgáljon meg a készletben mindent, határozza meg mire valók.
- Csatlakoztassa a tápkábelt a mikroszkóphoz és dugja be.

## Használat

Lásd az 1a (kétszemlencsés modell) és az 1b (háromszemlencsés modell) ábrát.

- Kapcsolja be az áramot és a világítás működni kezd. Mintegy 70%-ra állítsa be a fényerőt. Helyezze a mintát a tárgyasztalra. Figyeljen, hogy a szorítók stabilan tartsák a helyükön a mintát.
- Az írisz fényrekeszt a lencse f számának megfelelően kell beállítani. A gyakorlat azt mutatja, hogy legjobb az írisz fényrekeszt kissé kisebbre állítani a kiválasztott lencse rekesznyílásánál. Nyissa ki vagy zárja be az írisz diafragmát az állítócsavarokkal. Az írisz fényrekeszt teljesen nyitva van, ha jobbra fordítják el az állítócsavart. **Megjegyzés:** A fényrekesznek nem célja a megvilágítás fényerejének állítása. A fényerő állításához a fényerősség állító gombot használja.
- Helyezze a megfelelő szűrőt a kollektor tetejére.
- Az objektív nagyításának módosításához fordítsa el kattanásig a revolverfejet.
- Figyeljen a fókusz beállításakor, hogy a lencse ne érjen a mintához: forgassa a durva-fókuszállító gombot, hogy a minta körülbelül 3,175 mm (1/8") távolságra legyen a lencsétől.
- A szemlencsés nézve forgassa lassan a durva-fókuszállító gombot, amíg meg nem látja a vizsgált minta képét. A finom-fókuszállító gomb forgatásával állítsa élesre a képet. A finom fókuszáló szerkezet nagy nagyítás mellett teszi lehetővé a vizsgált mintára fókuszálást.
- Olajimmerziós objektív használatakor a minta és a lencse közötti tért immerziós olaj tölti ki. Emelje a felső helyzetbe a kondenzort és tegyen az objektívra és a mintát fedő üvegre egy csepp olajat. Mozgassa a revolverfejet előre és hátra, hogy eltávolítsa az olajban lévő levegőbuborékokat. Ezután rögzítse a tárgylencsét a munkapozíciójában. Győződjön meg arról, hogy az olaj kitölti-e a tárgylencse és a minta közötti teljes teret. Használat után törölje szárazra az objektívet.
- A mechanikus skála helyzetének módosításához a durva-fókuszállító gombot az óra mutató járásával megegyező irányba forgassa, ha rögzíteni szeretné a mechanikus skálát, vagy azzal ellentétesen, ha ki szeretné lazítani.
- Hozza be a mintát a látómezőbe úgy, hogy a tárgyasztalt vízszintesen előre-hátra vagy jobbra-balra mozgatja a tárgyasztal mozgó gombokkal.
- Jobb szemével nézzen a szemlencsésbe és állítsa be a kép élességet a durva- és a finomfókusz-állító gombokkal. Utána nézzen bal szemével a bal szemlencsésbe és forgassa a dioptria-állító gyűrűt, hogy kiegyenlítse a bal és jobb szem látásereje közötti különbséget. Jegyezze meg a beállítást, hogy azt később is használhassa. Állítsa be a kétszemlencsés fejrész szemlencsecsővei közötti távolságot úgy, hogy a kép egyetlen körré olvadjon össze.
- Trinokuláris modell: A digitális kamera a harmadik szemlencsecsőre szerelhető. A sugárostó használatával a szemlencsére vagy a kamerára küldheti a fényt.

## Biztosító csere

Húzza ki a mikroszkópot a tápellátásról. Csavarhúzóval nyissa ki a mikroszkóp váz hátoldalán az olvadó biztosító csavaros kupakját. Vegye ki a régi biztosítót és tegyen be újat. Csakis megfelelő típusú biztosítót használjon. Zárja rá a biztosító kupakot.

## Digitális kamera

A Levenhuk MED D40T modellhez digitális kamera (2a ábra), a Levenhuk MED D40T LCD modellhez pedig LCD-kijelzős digitális kamera (2b ábra) tartozik. A digitális kamera a harmadik szemlencsecsőre kerül, és lehetővé teszi a minta megfigyelését a képernyőn kiváló részletességben és valódi színekkel, fényképek és videók készíthetők vele és a képek elmentve később is megnézhetők.

## Műszaki adatok

Termékazonosító	74004	74005	74006	74007
Modell	MED 40B	MED 40T	MED D40T LCD	MED D40T
Típus	biológiai/optikai		biológiai/optikai, digitális	
Vizsgálati módszer	világos látótér		világos látótér	
Nagyítás	40–1000x		40–1000x	
Pupillatávolság	48–75 mm		48–75 mm	
Szemlencse fejrész	kétszemlencsés, 360°-ban elforgatható, 30°-os szögben döntött	háromszemlencsés, 360°-ban elforgatható, 30°-os szögben döntött	háromszemlencsés, 360°-ban elforgatható, 30°-os szögben döntött	
Optika anyaga	optikai üveg gombaölő bevonattal		optikai üveg gombaölő bevonattal	
A szemlencsecső átmérője	30 mm		30 mm	
Harmadik függőleges szemlencsecső	–	23,2 mm	23,2 mm	
Szemlencsék	WF10x/22 mm (2 db)		WF10x/22 mm (2 db)	
A szemlencse dioptriája állítható	±5 D		±5 D	
Objektívek	végtelen sík: 4x, 10x, 40xs, 60xs és 100xs (olaj)		végtelen sík: 4x, 10x, 40xs, 60xs és 100xs (olaj)	
Revolvertej	5 objektív		5 objektív	
Tárgyasztal elmozdulási tartomány	75/50 mm		75/50 mm	
Tárgyasztal	kétrétegű mechanikus, 180x150 mm, mechanikus skálával		kétrétegű mechanikus, 180x150 mm, mechanikus skálával	
Élességállítási (más néven: fókuszlási) rendszer	koaxiális, durva (0,5 mm) és finom (0,002 mm), fogasléces szerkezettel		koaxiális, durva (0,5 mm) és finom (0,002 mm), fogasléces szerkezettel	
Kondenzor	Abbe N.A. 1,25 írisz diafragma		Abbe N.A. 1,25 írisz diafragma	
Váz	fém		fém	
Megvilágítás	alsó (halogén, 12 V/30 W) fényerő-szabályozással		alsó (halogén, 12 V/30 W) fényerő-szabályozással	
Kollektor	Köhler világítás		Köhler világítás	
Szűrők	kék, zöld, sárga		kék, zöld, sárga	
Fiolányi immerziós olaj	+		+	
Biztosító	2 db		2 db	
Tápellátás	100–240 V, AC tápadapterről		100–240 V, AC tápadapterről	
Digitális kamera	–		5 Mpx LCD-kijelzővel	18 Mpx
Kamera tápellátás	–		DC 12 V/2 A, AC-adapterrel	DC 5 V, USB 3.0 kábellel
Opcionális tartozékok (külön vásárolható meg)	<i>végtelen sík objektív: 20xs</i>		<i>végtelen sík objektív: 20xs</i>	
	<i>szemlencsék (D 30 mm): 5x, 12,5x, 16x, 20x</i>		<i>szemlencsék (D 30 mm): 5x, 12,5x, 16x, 20x</i>	
	<i>sötét látóterű kondenzor</i>		<i>sötét látóterű kondenzor</i>	
	<i>szabványos kontrasztkészülék</i>		<i>szabványos kontrasztkészülék</i>	
	<i>síkpolarizációs eszköz</i>		<i>síkpolarizációs eszköz</i>	
	–	<i>digitális kamera</i>		–

A gyártó fenntartja magának a jogot a termékínalat és a műszaki paraméterek előzetes értesítés nélkül történő módosítására.



**Vigyázat!** Ne feledje, hogy az Egyesült Államokban és Kanadában a hálózati feszültség 110 V, míg a legtöbb európai országban 220–240 V. Kérjük, a megfelelő feszültséggel kapcsolatban nézze meg a műszaki leírást.

A mikroszkópot földelni kell. Ellenőrizze, hogy a hálózati feszültség megfeleljen a mikroszkóp vázán jelzett feszültségnek.

## Ápolás és karbantartás

Ennek az eszköznek a használatával soha, semmilyen körülmények között ne nézzen közvetlenül a Napba, vagy egyéb, nagyon erős fényforrásba vagy lézersugárba, mert ez **MARADANDÓ KÁROSODÁST OKOZ A RETINÁJÁBAN ÉS MEG IS VAKULHAT**. Legyen kellően óvatos, ha gyermekekkel vagy olyan személyekkel együtt használja az eszközt, akik nem olvasták vagy nem teljesen értették meg az előbbieken felsorolt utasításokat. A mikroszkóp kicsomagolása után, de még annak legelső használata előtt ellenőrizze az alkatrészek és csatlakozások sérülésmentes állapotát és tartósságát. Bármilyen ok, semmiképpen ne kísérelje meg szétszerelni az eszközt. Ha az eszköz javításra vagy tisztításra szorul, akkor keresse fel vele a helyi szakszervizt. Óvja az eszközt a hirtelen behatásoktól és a hosszabb ideig tartó mechanikai erőktől. Ne használjon túlzott erőt a fókuszbéállításánál. Ne húzza túl a szorítócsavarokat. Az optikai elemek felületéhez soha ne érjen az ujjával. Az eszköz külső megtisztításához használja a Levenhuk által erre a célra gyártott tisztítókendőt és optikai tisztító eszközöket. Az optikai elemek tisztításához ne használjon maró hatású vagy acetonnal alapú folyadékokat. A kopó hatású részecskéket, például a homokot ne törölje, hanem fújással vagy puha ecsettel távolítsa el a lencséről. Ne használja az eszközt hosszú időtartamon keresztül a tűző napon, vagy ne hagyja ott felügyelet nélkül. Tartsa az eszközt víztől és magas páratartalomtól védett helyen. Legyen körültekintő a megfigyelések során, mindig helyezze vissza a porvédőt a megfigyelés befejeztével, így megóvhatja eszközét a portól és a szennyeződésektől. Ha a mikroszkóp hosszabb ideig használaton kívül van, akkor a mikroszkóptól elkülönítetten tárolja az objektívlencsákat és a szemlencsákat. Száraz, hűvös helyen tárolja az eszközt, veszélyes savaktól és egyéb kémiai anyagoktól elkülönítetten, hőszűrőktől, nyílt lángtól és egyéb hőforrásoktól távol. Lehetőség szerint ne használja a mikroszkópot gyúlékony anyagok közelében (benzol, papír, kartonlap, műanyag, stb.), mivel a megfigyelés során a mikroszkóp talpazata felmelegedhet és így tűzveszélyessé válhat. A talpazat kinyitása vagy a megvilágítást biztosító izzó kicserélése előtt minden esetben áramtalanítsa a mikroszkópot. Csere előtt az izzó típusától függetlenül (halogén vagy hagyományos) minden esetben várja meg, amíg az izzó lehűl, és mindig ugyanolyan típusú izzót használjon. A tápellátást mindig a megfelelő hálózati feszültségi szint mellett használja, azaz kövesse az újonnan vásárolt mikroszkópjának műszaki leírását. Az eszköznek a leírástól eltérő típusú aljzathoz történő csatlakoztatása tönkretelheti a mikroszkóp áramkörét, kiéghet az izzó vagy akár rövidzárlatot is okozhat ezzel. A gyermekek a mikroszkópot csak felnőtt felügyelete mellett használhatják. **Azonnal forduljon orvoshoz, amennyiben bárki lenyelt egy kis alkatrészt vagy elemet.**

## A Levenhuk nemzetközi, élettartamra szóló szavatossága

A Levenhuk vállalat a kiegészítők kivételével az összes Levenhuk gyártmányú teleszkóphoz, mikroszkóphoz, kétszemcses távcsőhöz és egyéb optikai termékhez élettartamra szóló szavatosságot nyújt az anyaghibák és/vagy a gyártási hibák vonatkozásában. Az **élettartamra szóló szavatosság** a termék piaci forgalmazási időszakának a végéig érvényes. A Levenhuk-kiegészítőkhöz a Levenhuk-vállalat a kiskereskedelmi vásárlás napjától számított **két évig** érvényes szavatosságot nyújt az anyaghibák és/vagy a gyártási hibák vonatkozásában. A Levenhuk vállalat vállalja, hogy a Levenhuk vállalat általi megvizsgálás során anyaghibásnak és/vagy gyártási hibásnak talált terméket vagy termékalkatrészt megjavítja vagy kicseréli. A Levenhuk vállalat csak abban az esetben köteles megjavítani vagy kicserélni az ilyen terméket vagy termékalkatrészt, ha azt a Levenhuk vállalat számára elfogadható vásárlási bizonylattal együtt visszaküldi a Levenhuk vállalat felé.

További részletekért látogasson el weboldalunkra: [www.levenhuk.hu/garancia](http://www.levenhuk.hu/garancia)

Amennyiben garanciális probléma lépne fel vagy további segítségre van szüksége a termék használatát illetően, akkor vegye fel a kapcsolatot a helyi Levenhuk üzlettel.

## Informazioni generali

Leggere attentamente il manuale utente prima di iniziare a usare il microscopio. I microscopi biologici della serie Levenhuk MED sono sicuri per la salute e la tutela del consumatore e dell'ambiente quando usati nel modo appropriato e rispettano tutti i requisiti degli standard internazionali. Questi microscopi sono progettati per l'osservazione di campioni trasparenti in luce trasmessa con metodo a campo chiaro. Mostrano buone prestazioni nella ricerca clinica e nei test, per le dimostrazioni didattiche, la batterioscopia e l'osservazione di preparati cellulari in ambiente medico e ospedaliero, in laboratori, università e scuole; è possibile utilizzarli anche per la ricerca scientifica per le scienze agrarie e la microbiologia.

## Montaggio del microscopio

- Estrarre il microscopio dalla confezione e posizionarlo con attenzione su una superficie piana.
- Rimuovere i sacchetti di plastica e la copertura antipolvere dalla testata oculare.
- Installare la testata binoculare o trinoculare e stringere la vite di fissaggio.
- Ispezionare tutti gli elementi compresi nel kit per comprenderne la funzione.
- Collegare il cavo di alimentazione al microscopio e inserirlo in una presa di corrente.

## Uso

Si faccia riferimento alla fig. 1a (modello binoculare) e alla fig. 1b (modello trinoculare).

- Premere l'interruttore e accendere l'illuminazione. Impostare la luminosità al 70% circa. Posizionare il campione sul tavolino. Assicurarsi che le mollette tengano saldamente fermo il campione.
- Il diaframma a iride va regolato secondo l'apertura numerica della lente. Si consiglia di rendere il diaframma a iride leggermente più piccolo rispetto all'apertura della lente scelta. Aprire o chiudere il diaframma a iride usando la leva di regolazione. Se la leva di regolazione è tutta a destra, il diaframma a iride è completamente aperto. **Nota:** il diaframma non è pensato per la regolazione della luminosità. Per regolare la luminosità, utilizzare l'apposita manopola.
- Posiziona il filtro necessario sopra al collettore.
- Per variare l'ingrandimento dell'obiettivo, ruotare il revolver portaobiettivi fino a sentire un clic.
- Assicurarsi che la lente non vada a toccare il campione durante la messa a fuoco: ruotare la manopola di regolazione grossolana finché il campione non è a circa 3,175 mm (1/8") dalla lente.
- Osservando tramite l'oculare, ruotare lentamente la manopola di messa a fuoco grossolana finché non si riesce a vedere l'immagine del campione osservato. Ruotare la manopola di messa a fuoco fine per rendere l'immagine più nitida. Il meccanismo di messa a fuoco fine consente di focalizzare il campione osservato anche ad alto ingrandimento.
- Quando si usa un obiettivo a immersione in olio, lo spazio tra il campione e la lente deve essere riempito con olio da immersione. Sollevare il condensatore il più in alto possibile e posizionare una goccia di olio sulla lente e sul coprivetrino del campione. Spostare il revolver portaobiettivi avanti e indietro per eliminare le bolle d'aria nell'olio. Quindi, fissare la lente obiettivo in posizione di lavoro. Assicurarsi che l'olio riempia tutto lo spazio tra la lente obiettivo e il campione. Asciugare la lente dopo l'uso.
- Per regolare la posizione del traslatore meccanico, ruotare la manopola di messa a fuoco grossolana in senso orario per bloccare la posizione del traslatore, in senso antiorario per sbloccarla.
- Per posizionare il campione nel campo visivo, muovere il tavolino traslatore orizzontalmente avanti e indietro o a sinistra e a destra usando le opportune manopole.
- Osservare tramite il rispettivo oculare con l'occhio destro e regolare la nitidezza dell'immagine con la manopola di messa a fuoco grossolana e fine. Osservare quindi tramite l'oculare sinistro, con l'occhio sinistro, e ruotare la ghiera di regolazione diottrica per appianare qualsiasi differenza di visione tra i due occhi. Ricordare il posizionamento per gli utilizzi futuri. Regolare la distanza tra i tubi ottici della testata binoculare in modo che l'immagine formi un unico cerchio.
- Modelli trinoculari: è possibile installare una fotocamera digitale nel terzo tubo oculare. Usare il beam splitter per deviare la luce verso l'oculare o la fotocamera.

## Sostituzione del fusibile

Scollegare il microscopio dall'alimentazione. Aprire la scatola dei fusibili sul retro del corpo del microscopio con un cacciavite a taglio. Rimuovere il vecchio fusibile e installarne uno nuovo. Usare solo fusibili del tipo appropriato. Chiudere la scatola dei fusibili.

## Fotocamera digitale

Il modello Levenhuk MED D40T ha in dotazione una fotocamera digitale (fig. 2a), il modello Levenhuk MED D40T LCD ha in dotazione una fotocamera digitale con schermo LCD (fig. 2b). La fotocamera digitale va installata nel terzo tubo ottico e consente di osservare i campioni sullo schermo fin nei minimi dettagli e con colori realistici, di catturare foto e video e di salvare le immagini per usi futuri.

## Specifiche

ID prodotto	74004	74005	74006	74007
Modello	MED 40B	MED 40T	MED D40T LCD	MED D40T
Tipo	biologico/ottico		biologico/ottico, digitale	
Metodo di ricerca	campo chiaro		campo chiaro	
Ingrandimenti	40–1000x		40–1000x	
Distanza interpupillare	48–75 mm		48–75 mm	
Testata oculare	binoculare, girevole a 360°, inclinata a 30°	trinoculare, girevole a 360°, inclinata a 30°	trinoculare, girevole a 360°, inclinata a 30°	
Materiale delle ottiche	vetro ottico con rivestimento antimuffa		vetro ottico con rivestimento antimuffa	
Diametro del tubo ottico	30 mm		30 mm	
Terzo tubo ottico verticale	–	23,2 mm	23,2 mm	
Oculari	WF10x/22 mm (2 pz)		WF10x/22 mm (2 pz)	
Oculare con regolazione diottrica	±5 D		±5 D	
Obiettivi	planari all'infinito: 4x, 10x, 40xs, 60xs, 100xs (olio)		planari all'infinito: 4x, 10x, 40xs, 60xs, 100xs (olio)	
Revolver portaobiettivi	5 obiettivi		5 obiettivi	
Range di movimento del tavolino	75/50 mm		75/50 mm	
Tavolino	meccanico a doppio stadio, 180x150 mm, con traslatore meccanico		meccanico a doppio stadio, 180x150 mm, con traslatore meccanico	
Sistema di messa a fuoco	coassiale; grossolana (0,5 mm) e fine (0,002 mm), con meccanismo a cremagliera		coassiale; grossolana (0,5 mm) e fine (0,002 mm), con meccanismo a cremagliera	
Condensatore	Abbe N.A. 1,25 con diaframma a iride		Abbe N.A. 1,25 con diaframma a iride	
Corpo	metallo		metallo	
Illuminazione	inferiore (LED da 5 W) con regolazione della luminosità		inferiore (LED da 5 W) con regolazione della luminosità	
Collettore	illuminazione di Köhler		illuminazione di Köhler	
Filtri	blu, verde, giallo		blu, verde, giallo	
Fiala di olio per immersione	+		+	
Fusibile	2 pz		2 pz	
Alimentazione	100–240 V, tramite adattatore AC		100–240 V, tramite adattatore AC	
Fotocamera digitale	–		5 Mpx con schermo LCD	18 Mpx
Alimentazione fotocamera	–		12 V/2 A DC, tramite adattatore AC	5 V DC, tramite cavo USB 3.0
Accessori optional (venduti separatamente)	<i>obiettivo planare all'infinito: 20xs</i>		<i>obiettivo planare all'infinito: 20xs</i>	
	<i>oculari (D 30 mm): 5x, 12,5x, 16x, 20x</i>		<i>oculari (D 30 mm): 5x, 12,5x, 16x, 20x</i>	
	<i>condensatore per campo scuro</i>		<i>condensatore per campo scuro</i>	
	<i>dispositivo a contrasto standard</i>		<i>dispositivo a contrasto standard</i>	
	<i>dispositivo di polarizzazione</i>		<i>dispositivo di polarizzazione</i>	
	–	<i>fotocamera digitale</i>	–	

Il produttore si riserva il diritto di modificare senza preavviso le specifiche tecniche e la gamma dei prodotti.



**Attenzione!** Si tenga presente che la tensione di rete nella maggior parte dei paesi europei è di 220–240 V. Si tenga presente che, se si desidera utilizzare il dispositivo in un paese in cui la tensione di rete standard è differente, è assolutamente indispensabile utilizzare un convertitore di tensione. Il microscopio deve essere collegato a terra. Assicurarsi che la tensione di rete corrisponda alla tensione indicata sul corpo del microscopio.

## Cura e manutenzione

**Non utilizzare in nessun caso questo apparecchio per guardare direttamente il sole, un'altra sorgente di luce ad alta luminosità o un laser, perché ciò potrebbe provocare DANNI PERMANENTI ALLA RETINA e portare a CECITÀ.** Nel caso si utilizzi l'apparecchio in presenza di bambini o altre persone che non siano in grado di leggere o comprendere appieno queste istruzioni, prendere le precauzioni necessarie. Dopo aver disimballato il microscopio e prima di utilizzarlo per la prima volta, verificare l'integrità e lo stato di conservazione di tutte le componenti e le connessioni. Non cercare per nessun motivo di smontare autonomamente l'apparecchio. Per qualsiasi intervento di riparazione e pulizia, contattare il centro di assistenza specializzato di zona. Proteggere l'apparecchio da urti improvvisi ed evitare che sia sottoposto ad eccessiva forza meccanica. Durante la messa a fuoco, non applicare una forza eccessiva. Non stringere eccessivamente le viti di bloccaggio. Non toccare le superfici ottiche con le dita. Per pulire l'esterno dell'apparecchio, utilizzare soltanto le salviette apposite e gli strumenti di pulizia dell'ottica apposti offerti da Levenhuk. Non utilizzare fluidi corrosivi o a base di acetone per pulire l'ottica del dispositivo. Per rimuovere eventuali particelle abrasive, ad esempio sabbia, dalle lenti, non strofinare, ma soffiare oppure utilizzare una spazzola morbida. Non utilizzare il dispositivo per lunghi periodi e non lasciarlo incustodito sotto i raggi diretti del sole. Non esporre il dispositivo all'acqua o a elevata umidità. Prestare attenzione durante le osservazioni e, una volta terminato, rimettere sempre il coperchio protettivo per proteggere l'apparecchio da polvere e macchie. Se non si intende utilizzare il microscopio per periodi prolungati, conservare le lenti obiettivo e gli oculari separatamente dal microscopio. Conservare l'apparecchio in un posto fresco e asciutto, al riparo da acidi pericolosi e altri prodotti chimici, da apparecchi di riscaldamento, da fiamme libere e da altre fonti di calore. Cercare di non utilizzare il microscopio in prossimità di materiali o sostanze infiammabili (benzene, carta, cartone ecc), poiché la base potrebbe riscaldarsi durante l'utilizzo e rappresentare un rischio di incendio. Disconnettere sempre il microscopio dall'alimentazione prima di aprire la base o sostituire la lampadina di illuminazione. Indipendentemente dal tipo di lampadina (alogeno o a incandescenza), attendere che si sia raffreddata prima di cercare di sostituirla e sostituirla sempre con una lampadina dello stesso tipo. Utilizzare sempre un'alimentazione di tensione adeguata, cioè quella indicata nelle specifiche del microscopio. Collegare lo strumento a una presa di alimentazione differente potrebbe provocare il danneggiamento dei circuiti elettrici del microscopio, bruciare la lampadina o addirittura causare un corto circuito. I bambini dovrebbero utilizzare il microscopio soltanto con la supervisione di un adulto. **In caso di ingestione di una parte di piccole dimensioni o di una batteria, richiedere immediatamente assistenza medica.**

## Garanzia internazionale Levenhuk

Tutti i telescopi, i microscopi, i binocoli e gli altri prodotti ottici Levenhuk, ad eccezione degli accessori, godono di una **garanzia a vita** per i difetti di fabbricazione o dei materiali. Garanzia a vita rappresenta una garanzia per la vita del prodotto sul mercato. Tutti gli accessori Levenhuk godono di una garanzia di **due anni** a partire dalla data di acquisto per i difetti di fabbricazione e dei materiali. Levenhuk riparerà o sostituirà i prodotti o relative parti che, in seguito a ispezione effettuata da Levenhuk, risultino presentare difetti di fabbricazione o dei materiali. Condizione per l'obbligo di riparazione o sostituzione da parte di Levenhuk di tali prodotti è che il prodotto venga restituito a Levenhuk unitamente ad una prova d'acquisto la cui validità sia riconosciuta da Levenhuk.

Per maggiori dettagli, visitare il nostro sito web: [www.levenhuk.eu/warranty](http://www.levenhuk.eu/warranty)

Per qualsiasi problema di garanzia o necessità di assistenza per l'utilizzo del prodotto, contattare la filiale Levenhuk di zona.



## Informacje ogólne

Przed rozpoczęciem pracy z mikroskopem należy uważnie przeczytać instrukcję obsługi. Mikroskopy biologiczne serii Levenhuk MED są bezpieczne dla zdrowia, życia i mienia użytkownika, a także dla środowiska, jeśli są użytkowane w prawidłowy sposób. Ponadto spełniają wymogi międzynarodowych norm. Te mikroskopy zostały opracowane do obserwacji obiektów przezroczystych w świetle przechodzącym przy użyciu metody jasnego pola. To idealne przyrządy optyczne do badań i testów klinicznych, pokazów szkolnych, bakterioskopii i cytoskopii w placówkach medycznych, laboratoriach, na uniwersytetach oraz w szkołach. Mogą być także stosowane do badań naukowych w rolnictwie i mikrobiologii.

## Montaż mikroskopu

- Ostrożnie wyjmij mikroskop z opakowania i umieść go na płaskiej powierzchni.
- Zdejmij worki foliowe i osłonę przeciwpylową z głowicy okularowej.
- Zamontuj głowicę dwuokularową lub trójokularową i dokręć śrubę blokującą.
- Sprawdź wszystkie elementy zestawu i określ ich przeznaczenie.
- Podłącz przewód zasilający do mikroskopu i do gniazdka.

## Obsługa

Zapoznaj się z rys. 1a (model dwuokularowy) i rys. 1b (model trójokularowy).

- Włącz zasilanie. Zostanie włączone oświetlenie. Ustaw jasność na około 70%. Umieść preparat na stoliku. Sprawdź, czy preparat jest prawidłowo zamocowany w zaczepach.
- Przystonę irysową należy wyregulować zgodnie z aperturą numeryczną soczewki. Najlepszą praktyką jest ustawienie przystony irysowej nieznacznie mniejszej niż apertura wybranej soczewki. Otwórz lub zamknij przystonę irysową za pomocą śrub regulacyjnych. Obrócenie śruby regulacyjnej w prawo powoduje pełne otwarcie przystony irysowej. **Uwaga:** Przystona nie służy do regulacji jasności oświetlenia. Jasność reguluje się za pomocą pokrętła regulacji jasności.
- Umieść wymagany filtr na kolektorze.
- Aby zmienić powiększenie obiektywu, obracaj miskę rewolwerową do usłyszenia kliknięcia.
- Zwróć uwagę, aby soczewka nie miała kontaktu z preparatem podczas regulacji ostrości: obracaj pokrętło zgrubnej regulacji ostrości, aż preparat znajdzie się około 3,175 mm (1/8") od soczewki.
- Patrząc w okular, powoli obracaj pokrętło zgrubnej regulacji ostrości, aż będzie widoczny obraz obserwowanego preparatu. Obracaj pokrętło precyzyjnej regulacji ostrości, aby uzyskać wyraźny obraz. Mechanizm precyzyjnej regulacji ostrości pozwala na ustawienie ostrości na obserwowanym preparacie przy dużym powiększeniu.
- W przypadku używania obiektywu z immersją olejową przestrzeń między preparatem a soczewką należy wypełnić olejkim immersyjnym. Podnieś kondensor do górnego położenia i nałóż kroplę olejku na soczewkę oraz na szklaną osłonę preparatu. Przesuń miskę rewolwerową do tyłu i do przodu, aby usunąć pęcherzyki powietrza z olejku. Następnie zamocuj soczewkę obiektywową w położeniu roboczym. Sprawdź, czy olejek pokrywa całą przestrzeń między soczewką obiektywową a preparatem. Po użyciu należy wytrzeć soczewkę do sucha.
- Położenie skali mechanicznej można wyregulować za pomocą pokrętła zgrubnej regulacji ostrości, obracając je w prawo, aby zablokować wybrane położenie, lub w lewo, aby poluzować skalę.
- Aby ustawić preparat w polu widzenia, przesuwaj stolik poziomo do tyłu i do przodu lub w lewo i w prawo za pomocą pokręteł przesuwania stolika.
- Patrząc prawym okiem w prawy okular, wyreguluj ostrość obrazu za pomocą pokręteł zgrubnej i precyzyjnej regulacji ostrości. Następnie przyłóż lewe oko do lewego okularu i obracaj pierścień regulacji dioptrii, aby zniwelować różnicę między lewym a prawym okulem. Zapamiętaj ustawienie na przyszłość. Wyreguluj odległość między tubami okularów głowicy dwuokularowej tak, aby obraz scalił się w jeden okrąg.
- Modele trójokularowe: Na tubie trzeciego okularu można zamontować aparat cyfrowy. Użyj rozdzielacza wiązki, aby kierować światło do okularów lub do aparatu.

## Wymiana bezpiecznika

Odłącz mikroskop od źródła zasilania. Otwórz gniazdo bezpiecznika w tylnej części korpusu mikroskopu za pomocą wkrętaka płaskiego. Wyjmij stary bezpiecznik i zamontuj nowy. Należy stosować tylko bezpieczniki odpowiedniego typu. Zamknij gniazdo bezpiecznika.

## Aparat cyfrowy

Mikroskop Levenhuk MED D40T jest dostarczany z aparatem cyfrowym (rys. 2a), mikroskop Levenhuk MED D40T LCD jest dostarczany z aparatem cyfrowym z wyświetlaczem LCD (rys. 2b). Aparat cyfrowy montuje się na tubie trzeciego okularu. Pozwala on na obserwację preparatów na ekranie z niezwykłą dokładnością i zachowaniem prawdziwych barw, robienie zdjęć i nagrywanie filmów oraz zapisywanie obrazów na przyszłość.

## Dane techniczne

Identyfikator produktu	74004	74005	74006	74007
Model	MED 40B	MED 40T	MED D40T LCD	MED D40T
Typ	biologiczny/optyczny		biologiczny/optyczny, cyfrowy	
Metoda badawcza	jasnego pola		jasnego pola	
Powiększenie	40–1000x		40–1000x	
Rozstaw źrenic	48–75 mm		48–75 mm	
Głowica okularowa	dwuokularowa, obracana w zakresie 360°, nachylenie 30°	trójokularowa, obracana w zakresie 360°, nachylenie 30°	trójokularowa, obracana w zakresie 360°, nachylenie 30°	
Materiał układu optycznego	szkło optyczne z powłoką fungistatyczną		szkło optyczne z powłoką fungistatyczną	
Średnica tuby okularu	30 mm		30 mm	
Trzecia pionowa tuba okularu	–	23,2 mm	23,2 mm	
Okulary	WF10x/22 mm (2 szt.)		WF10x/22 mm (2 szt.)	
Okular z regulacją dioptrii	±5 D		±5 D	
Obiektywy	planarne z korekcją do nieskończoności: 4x, 10x, 40x, 60x, 100x (olejek immersyjny)		planarne z korekcją do nieskończoności: 4x, 10x, 40x, 60x, 100x (olejek immersyjny)	
Miska rewolwerowa	5 obiektywów		5 obiektywów	
Zakres ruchu stolika	75/50 mm		75/50 mm	
Stolik	dwuwarstwowy mechaniczny, 180x150 mm, ze skalą mechaniczną		dwuwarstwowy mechaniczny, 180x150 mm, ze skalą mechaniczną	
Mechanizm regulacji ostrości	współosiowa, zgrubna (0,5 mm) i precyzyjna (0,002 mm), z mechanizmem zębatkowym		współosiowa, zgrubna (0,5 mm) i precyzyjna (0,002 mm), z mechanizmem zębatkowym	
Kondensator	Abbego N.A. 1,25, przysłona irysowa		Abbego N.A. 1,25, przysłona irysowa	
Korpus	metal		metal	
Oświetlenie	dolne (5 W LED) z regulacją jasności		dolne (5 W LED) z regulacją jasności	
Kolektor	oświetlenie Köhlera		oświetlenie Köhlera	
Filtry	światła niebieskiego, zielonego, żółtego		światła niebieskiego, zielonego, żółtego	
Fiolka olejku immersyjnego	+		+	
Bezpiecznik	2 szt.		2 szt.	
Zasilanie	100–240 V, przez zasilacz		100–240 V, przez zasilacz	
Aparat cyfrowy	–	–	5 Mpx z wyświetlaczem LCD	18 Mpx
Zasilanie aparatu	–	–	DC 12 V/2 A, przez zasilacz	DC 5 V, przez USB 3.0
Akcesoria (sprzedawane osobno)	<i>obiektyw planarny z korekcją do nieskończoności: 20xs</i>		<i>obiektyw planarny z korekcją do nieskończoności: 20xs</i>	
	<i>okulary (D 30 mm): 5x, 12,5x, 16x, 20x</i>		<i>okulary (D 30 mm): 5x, 12,5x, 16x, 20x</i>	
	<i>kondensator ciemnego pola</i>		<i>kondensator ciemnego pola</i>	
	<i>standardowe urządzenie do kontrastowania preparatów</i>		<i>standardowe urządzenie do kontrastowania preparatów</i>	
	<i>standardowe urządzenie do polaryzacji</i>		<i>standardowe urządzenie do polaryzacji</i>	
	–	<i>aparat cyfrowy</i>		–

Producent zastrzega sobie prawo wprowadzenia zmian w ofercie produktów i specyfikacjach bez uprzedniego powiadomienia.



**Uwaga!** Prosimy pamiętać, że napięcie sieciowe w większości państw europejskich wynosi 220–240 V. Jeśli urządzenie ma być używane w państwie, w którym napięcie sieciowe ma inną wartość, należy koniecznie pamiętać o stosowaniu przetwornika. Mikroskop musi być uziemiony. Należy dopilnować, aby napięcie sieciowe odpowiadało napięciu podanemu na korpusie mikroskopu.

## Konserwacja i pielęgnacja

Pod żadnym pozorem nie wolno kierować przyrządu bezpośrednio na słońce, światło laserowe lub inne źródło jasnego światła, ponieważ może to spowodować TRWAŁE USZKODZENIE SIATKÓWKI lub doprowadzić do ŚLEPOTY. Zachowaj szczególną ostrożność, gdy urządzenia używają dzieci lub osoby, które nie w pełni zapoznały się z instrukcjami. Po rozpakowaniu mikroskopu i przed jego pierwszym użyciem należy sprawdzić stan i prawidłowość podłączenia każdego elementu. Nie podejmuj prób samodzielnego demontażu urządzenia, nawet w celu wyczyszczenia lustra. W celu wszelkich napraw i czyszczenia skontaktuj się z punktem serwisowym. Chroń przyrząd przed upadkami z wysokości i działaniem nadmiernej siły mechanicznej. Nie należy używać nadmiernej siły podczas ustawiania ostrości. Nie należy dokręcać zbyt mocno śrub blokujących. Nie dotykaj powierzchni optycznych palcami. Do czyszczenia zewnętrznych powierzchni przyrządu używaj tylko specjalnych ściereczek i narzędzi do czyszczenia optyki Levenhuk. Nie czyść układu optycznego za pomocą środków żrących lub zawierających aceton. Cząsteczki ścierające, takie jak ziarna piasku, powinny być zdmuchiwane z powierzchni soczewek lub usuwane za pomocą miękkiej szczotki. Nie wystawiaj przyrządu na długotrwałe działanie promieni słonecznych. Trzymaj z dala od wody. Nie należy przechowywać w warunkach wysokiej wilgoci. Podczas obserwacji należy zachować ostrożność. Po zakończeniu obserwacji załóż osłonę przeciwpylową w celu zabezpieczenia mikroskopu przed kurzem i zanieczyszczeniami. W przypadku korzystania z mikroskopu przez dłuższy czas soczewki obiektywowe i okulary oraz mikroskop należy przechowywać osobno. Przyrząd powinien być przechowywany w suchym, chłodnym miejscu, z dala od kurzu, niebezpiecznych kwasów oraz innych substancji chemicznych, grzejników, otwartego ognia i innych źródeł wysokiej temperatury. Staraj się nie korzystać z mikroskopu w pobliżu łatwopalnych materiałów lub substancji (benzenu, papieru, kartonu, tworzywa sztucznego itp.), ponieważ nagrzewająca się podczas użytkowania podstawa może powodować ryzyko pożaru. Przed każdym otwarciem podstawy lub wymianą lampy odłączaj mikroskop od źródła zasilania. Przed wymianą lampy, niezależnie od jej rodzaju (halogenowa lub żarowa), zaczekaj, aż jej temperatura spadnie. Lampy wymieniaj zawsze na modele tego samego typu. Pamiętaj, aby moc zasilania była dopasowana do napięcia – jest ono podane w danych technicznych nowego mikroskopu. Podłączenie do gniazda zasilającego o innej mocy może spowodować uszkodzenie zespołu obwodów elektrycznych przyrządu, spalenie lampy, a nawet zwarcie. Używanie mikroskopu przez dzieci może odbywać się tylko pod nadzorem osób dorosłych. W przypadku połamania małej części lub baterii należy natychmiast zwrócić się o pomoc medyczną.

## Gwarancja międzynarodowa Levenhuk

Wszystkie teleskopy, mikroskopy, lornetki i inne przyrządy optyczne Levenhuk, za wyjątkiem akcesoriów, posiadają dożywotnią gwarancję obejmującą wady materiałowe i wykonawcze. Dożywotnia gwarancja to gwarancja na cały okres użytkowania produktu. Wszystkie akcesoria Levenhuk są wolne od wad materiałowych i wykonawczych i pozostaną takie przez dwa lata od daty zakupu detalicznego. Firma Levenhuk naprawi lub wymieni produkty lub ich części, w przypadku których kontrola prowadzona przez Levenhuk wykaże obecność wad materiałowych lub wykonawczych. Warunkiem wywiązania się przez firmę Levenhuk z obowiązku naprawy lub wymiany produktu jest dostarczenie danego produktu firmie razem z dowodem zakupu uznawanym przez Levenhuk.

Więcej informacji na ten temat znajduje się na stronie: [www.levenhuk.pl/gwarancja](http://www.levenhuk.pl/gwarancja)

W przypadku wątpliwości związanych z gwarancją lub korzystaniem z produktu, proszę skontaktować się z lokalnym przedstawicielem Levenhuk.

## Informações gerais

Leia o manual do utilizador cuidadosamente antes de começar a trabalhar com um microscópio. Os microscópios biológicos Levenhuk Série MED são seguros para a saúde, a vida e a propriedade do consumidor e do ambiente quando utilizados adequadamente e cumprem os requisitos das normas internacionais. Estes microscópios foram concebidos para observar objetos transparentes na luz transmitida utilizando o método de campo brilhante. Têm um bom desempenho em investigação e testes clínicos; demonstrações pedagógicas; bacterioscopia e citologia em estabelecimentos médicos e sanitários, laboratórios, universidades; e podem ser utilizados para investigação científica em agricultura e microbiologia.

## Montagem do microscópio

- Remova o microscópio da embalagem cuidadosamente e coloque-o numa superfície plana.
- Remova os sacos de plástico e a tampa à prova de poeira da cabeça da ocular.
- Instale a cabeça binocular ou o trinocular e aperte o parafuso de bloqueio.
- Inspeção todos os itens incluídos no kit e defina o respetivo objetivo.
- Ligue o cabo de alimentação ao microscópio e ligue à tomada.

## Utilização do microscópio

Consulte a fig. 1a (modelo binocular) e fig. 1b (modelo trinocular).

- Ligue a energia e a iluminação acender-se-á. Defina o brilho em, aproximadamente, 70%. Coloque o espécime na lâmina. Certifique-se de que os cliques mantêm o espécime firmemente no local.
- O diafragma da íris deve ser ajustado de acordo com a abertura numérica de uma lente. A melhor prática é tornar o diafragma da íris ligeiramente mais pequeno do que a abertura da lente selecionada. Abra ou feche o diafragma da íris utilizando os parafusos de ajuste. Se o parafuso de ajuste for virado para a direita, o diafragma da íris fica totalmente aberto. **Nota:** o diafragma não se destina a ajustar o brilho da iluminação. Para ajustar o brilho, utilize a roda de ajuste do brilho.
- Coloque o filtro necessário sobre o coletor.
- Para alterar a ampliação da objetiva, rode o revólver giratório até ouvir um clique.
- Certifique-se de que a lente não toca na amostra ao ajustar o foco: rode o botão de focagem grosseira até que o espécime esteja afastado da lente em, aproximadamente, 3,175 mm.
- Olhando para a ocular, rode lentamente o botão de focagem grosseira até ver a imagem do espécime observado. Rode o botão de focagem fina para tornar a imagem nítida. O mecanismo de focagem fina permite focar o espécime observado enquanto utiliza ampliações elevadas.
- Quando utiliza uma objetiva de imersão em óleo, o espaço entre o espécime e a lente deve ser preenchido com óleo de imersão. Levante o condensador para a posição superior e coloque uma gota de óleo na lente e no vidro de cobertura do espécime. Mova o revólver giratório para trás e para a frente para remover bolhas de ar no óleo. Em seguida, fixe a lente da objetiva na posição de trabalho. Certifique-se de que o óleo preenche todo o espaço entre a lente da objetiva e o espécime. Após a utilização, limpe a lente até secar.
- Para colocar o espécime no campo de visão, mova a lâmina para trás e para a frente ou para a esquerda e para a direita, utilizando os botões de deslocação da lâmina.
- Olhe através da ocular direita com o seu olho direito e ajuste a nitidez da imagem com os botões de focagem grosseira e fina. Em seguida, olhe através da ocular esquerda com o seu olho esquerdo e gire o anel de ajuste de dioptria para equalizar a diferença entre a visão dos olhos esquerdo e direito. Lembre-se desta definição para utilização futura. Ajuste a distância entre os tubos oculares da cabeça binocular, de modo a que a imagem se funda num único círculo.
- Modelos trinoculares: pode instalar a câmara digital no terceiro tubo ocular. Utilize o separador de feixe para emitir a luz para as oculares ou para a câmara.

## Substituição do fusível

Desligue o microscópio de uma fonte de alimentação. Abra o porta-fusíveis localizado na parte traseira do corpo do microscópio com uma chave de fendas de ponta plana. Remova o fusível antigo e instale um novo. Utilize apenas os tipos apropriados de fusíveis. Feche o porta-fusíveis.

## Câmara digital

Levenhuk MED D40T é fornecido com uma câmara digital (fig. 2a), Levenhuk MED D40T LCD é fornecido com uma câmara digital com um ecrã LCD (fig. 2b). Está instalada uma câmara digital no terceiro tubo ocular que permite observar espécimes no ecrã com detalhes refinados e cores verdadeiras, tirar fotografias e gravar vídeos, bem como guardar as imagens para referência futura.

## Especificações

ID de produto	74004	74005	74006	74007
Modelo	MED 40B	MED 40T	MED D40T LCD	MED D40T
Tipo	biológico/ótico		biológico/ótico, digital	
Método de investigação	campo brilhante		campo brilhante	
Ampliação	40–1000x		40–1000x	
Distância interpupilar	48–75 mm		48–75 mm	
Cabeça da ocular	binocular, rotação de 360°, inclinação de 30°	trinocular, rotação de 360°, inclinação de 30°	trinocular, rotação de 360°, inclinação de 30°	
Material ótico	vidro ótico com revestimento antifúngico		vidro ótico com revestimento antifúngico	
Diâmetro do tubo ocular	30 mm		30 mm	
Terceiro tubo ocular vertical	–	23,2 mm	23,2 mm	
Oculares	WF10x/22 mm (2 pcs)		WF10x/22 mm (2 pcs)	
Regulação de dioptria da ocular	±5 D		±5 D	
Objetivas	plano infinito: 4x, 10x, 40xs, 60xs, 100xs (óleo)		plano infinito: 4x, 10x, 40xs, 60xs, 100xs (óleo)	
Revólver giratório	5 objetivas		5 objetivas	
Alcance de deslocação da lâmina	75/50 mm		75/50 mm	
Lâmina	camada dupla mecânica, 180x150 mm, com balança mecânica		camada dupla mecânica, 180x150 mm, com balança mecânica	
Sistema de foco	coaxial, grosso (0,5 mm) e fino (0,002 mm), com mecanismo de cremalheira e pinhão		coaxial, grosso (0,5 mm) e fino (0,002 mm), com mecanismo de cremalheira e pinhão	
Condensador	Abbe N.A. de 1,25 com um diafragma da íris		Abbe N.A. de 1,25 com um diafragma da íris	
Corpo	metal		metal	
Iluminação	inferior (LED 5 W) com ajuste de luminosidade		inferior (LED 5 W) com ajuste de luminosidade	
Coletor	Iluminação Köhler		Iluminação Köhler	
Filtros	azul, amarelo, verde		azul, amarelo, verde	
Frasco de óleo de imersão	+		+	
Fusível	2 pcs		2 pcs	
Fonte de alimentação	100–240 V, através do adaptador CA		100–240 V, através do adaptador CA	
Câmara digital	–		5 Mpx com ecrã LCD	18 Mpx
Fonte de alimentação da câmara	–		CC 12 V/2 A, através do adaptador de CA	CC 5 V, através do cabo USB 3.0
Acessórios opcionais (vendidos separadamente)	<i>objetiva do plano infinito: 20xs</i>		<i>objetiva do plano infinito: 20xs</i>	
	<i>oculares (D 30 mm): 5x, 12,5x, 16x, 20x</i>		<i>oculares (D 30 mm): 5x, 12,5x, 16x, 20x</i>	
	<i>condensador de campo escuro</i>		<i>condensador de campo escuro</i>	
	<i>dispositivo de contraste standard</i>		<i>dispositivo de contraste standard</i>	
	<i>dispositivo de polarização simples</i>		<i>dispositivo de polarização simples</i>	
	–		<i>câmara digital</i>	–

O fabricante se reserva no direito de fazer alterações na variedade e nas especificações dos produtos sem notificação prévia.



**Atenção!** Lembre-se que a voltagem na maioria dos países europeus é 220–240 V. Se você quiser usar seu dispositivo em um país com voltagem padrão diferente, lembre-se que o uso de um transformador é absolutamente necessário. O microscópio tem de ser ligado à terra. Certifique-se de que a tensão principal corresponde à tensão indicada no corpo do microscópio.

## Cuidado e manutenção

Nunca, em qualquer circunstância, olhe diretamente para o Sol, ou para outra fonte de luz intensa, ou para um laser através deste dispositivo, pois isso pode causar **DANOS PERMANENTES À RETINA** e pode levar à **CEGUEIRA**. Tome as precauções necessárias quando usar o dispositivo com crianças, ou com outras pessoas que não leram, ou não compreenderam totalmente estas instruções. Após desembalar o microscópio e antes de utilizá-lo pela primeira vez, verifique a integridade e a durabilidade de todos os componentes e ligações. Não tente desmontar o dispositivo por conta própria por qualquer motivo. Para fazer reparações e limpezas de qualquer tipo, entre em contato com o centro local de serviços especializados. Proteja o dispositivo de impactos súbitos e de força mecânica excessiva. Não aplique pressão excessiva quando estiver ajustando o foco. Não aperte demasiado os parafusos de bloqueio. Não toque nas superfícies ópticas com seus dedos. Para limpar o exterior do dispositivo, use apenas lenços especiais para limpeza e ferramentas especiais de limpeza óptica da Levenhuk. Não utilize fluidos corrosivos, nem baseados em acetona para limpar as partes ópticas. Partículas abrasivas, como areia, não devem ser removidas com um pano. Em vez disso, sobre-as, ou retire-as com um pincel suave. Não use o dispositivo por períodos de tempo muito longos, nem o deixe abandonado sob a luz direta do Sol. Mantenha longe de água e alta umidade. Tenha cuidado durante as suas observações, substitua sempre a capa protetora antipoeira quando concluir as observações de modo a proteger o equipamento contra poeiras e manchas. Se não utilizar o microscópio durante muito tempo, guarde as objetivas e os oculares separadamente do microscópio. Guarde o dispositivo em um local seco e fresco, longe de ácidos perigosos e outros produtos químicos, de aquecedores, de fogo e de outras fontes de altas temperaturas. Ao utilizar o microscópio, não o faça próximo de materiais ou substâncias inflamáveis (benzeno, papel, cartão, plástico, etc.), uma vez que a base pode aquecer durante o uso e provocar um incêndio. Desligue sempre o microscópio de uma fonte de alimentação antes de abrir a base ou mudar de lâmpada de iluminação. Independentemente do tipo de lâmpada (halogéneo ou incandescente), deixe arrefecer durante algum tempo antes de a substituir por uma lâmpada do mesmo tipo. Utilize sempre a fonte de alimentação com uma tensão adequada, isto é, indicada nas especificações do novo microscópio. A ligação do equipamento a uma tomada diferente pode danificar o circuito elétrico do microscópio, fundir a lâmpada ou provocar um curto-circuito. As crianças só devem usar o microscópio sob a supervisão de um adulto. **Procure um médico imediatamente se uma peça pequena ou uma pilha for engolida.**

## Garantia vitalícia internacional Levenhuk

Todos os telescópios, microscópios, binóculos ou outros produtos ópticos Levenhuk, exceto seus acessórios, são acompanhados de **garantia vitalícia** contra defeitos dos materiais e acabamento. A garantia vitalícia é uma garantia para a vida útil do produto no mercado. Todos os acessórios Levenhuk têm garantia de materiais e acabamento livre de defeitos por **dois anos** a partir da data de compra. A Levenhuk irá reparar ou substituir o produto ou sua parte que, com base em inspeção feita pela Levenhuk, seja considerado defeituoso em relação aos materiais e acabamento. A condição para que a Levenhuk repare ou substitua tal produto é que ele seja enviado à Levenhuk juntamente com a nota fiscal de compra.

Para detalhes adicionais, visite nossa página na internet: [www.levenhuk.eu/warranty](http://www.levenhuk.eu/warranty)

Se surgirem problemas relacionados à garantia ou se for necessária assistência no uso do produto, contate a filial local da Levenhuk.



## Общая информация

Внимательно изучите инструкцию по эксплуатации, прежде чем приступить к работе с микроскопом. Биологические микроскопы серии Levenhuk MED безопасны для здоровья, жизни, имущества потребителя и окружающей среды при правильной эксплуатации и соответствуют требованиям международных стандартов. Модели предназначены для изучения прозрачных образцов в проходящем свете по методу светлого поля. Они применяются в разных научных областях – для клинических исследований и испытаний, для обучающих демонстраций, для бактериоскопии и цитологии в институтах и университетах, медицинских и оздоровительных учреждениях, научно-исследовательских институтах, департаментах лесного и сельского хозяйства и т. п.

## Сборка

- Аккуратно распакуйте микроскоп и установите его на ровную поверхность.
- Снимите упаковку и пластиковую защиту с окулярной насадки.
- Установите бинокулярную или тринокулярную насадку на корпус и затяните фиксатор.
- Осмотрите все элементы, входящие в комплект поставки, установите их назначение.
- Подключите к микроскопу сетевой шнур и включите его в сеть.

## Использование

Рассмотрите рисунки 1a (бинокулярная модель) и 1b (тринокулярная модель).

- Включите питание, загорится подсветка. Настройте яркость так, чтобы она составляла около 70%. Положите препарат на предметный столик. Убедитесь, что зажимы надежно держат препарат.
- Ирисовую диафрагму необходимо настраивать в соответствии с разными цифровыми апертурами разных объективов. Лучше всего настроить ирисовую диафрагму таким образом, чтобы ее диаметр был немного меньше апертуры выбранного объектива. Откройте/закройте ирисовую диафрагму с помощью ручки регулировки. Если ручка повернута вправо, ирисовая диафрагма полностью открыта. Примечание: диафрагма не регулирует яркость подсветки. Чтобы отрегулировать яркость подсветки, используйте регулятор яркости подсветки.
- Поместите необходимый фильтр сверху на коллектор.
- Чтобы сменить увеличение объектива, поверните револьверное устройство до щелчка.
- При регулировке фокуса, чтобы объектив не касался образца, поворачивайте ручку грубой фокусировки, пока образец не окажется на расстоянии примерно 3,175 мм (1/8") от объектива.
- Наблюдая в окуляр, медленно поверните ручку грубой фокусировки до тех пор, пока не появится изображение наблюдаемого препарата. Поверните ручку точной фокусировки так, чтобы изображение стало четким. При работе с высокими увеличениями механизм точной фокусировки позволит четко сфокусироваться на наблюдаемом препарате.
- При использовании масляного объектива следует заполнить пространство между поверхностью исследуемого образца и лицевой поверхностью объектива иммерсионным маслом. Поднимите конденсор в верхнее положение и капните немного масла на объектив и покровное стекло препарата. Поверните револьверное устройство вперед и назад несколько раз, чтобы избавиться от пузырьков воздуха в масле. Затем зафиксируйте объектив в рабочем положении. Убедитесь, что масло заполняет все пространство между объективом и препаратом. После использования протрите масляный объектив насухо.
- Чтобы отрегулировать положение препаратопроводителя, поверните ручку грубой фокусировки по часовой стрелке (зафиксировать положение) или против часовой стрелки (ослабить).
- Поворачивая ручки для перемещения столика по горизонтали вперед-назад и вправо-влево, вы сможете поместить препарат в центр поля зрения окуляра.
- Наблюдая правым глазом в окуляр, установленный в правый окулярный тубус, настройте резкость изображения при помощи ручек грубой и точной фокусировки. Затем, наблюдая левым глазом в левый окулярный тубус, вращайте кольцо диоптрийной настройки, чтобы устранить разницу в изображении для левого и правого глаза. Запомните настройку для использования в дальнейшем. Настройте расстояние между осями окулярных тубусов бинокулярной насадки таким образом, чтобы при наблюдении двумя глазами изображение сливалось в единую окружность.
- Для тринокулярных моделей: вы можете установить цифровую камеру в третью окулярную трубку. Для переключения светового потока с бинокулярной насадки на камеру используйте делитель светового потока.

## Замена предохранителя

Отключите микроскоп от сети. Откройте держатель предохранителя в задней части микроскопа при помощи отвертки с прямым шлицем. Выньте старый предохранитель и установите новый. Используйте только соответствующие предохранители. Закройте держатель предохранителя.

## Цифровая камера

Модель Levenhuk MED D40T комплектуется цифровой камерой (рис. 2a), модель Levenhuk MED D40T LCD комплектуется цифровой камерой с ЖК-экраном (рис. 2b). Цифровая камера устанавливается в третью окулярную трубку и позволяет наблюдать препараты в мельчайших деталях и реальном цвете на экране, снимать фото и видео, а также сохранять полученные изображения для дальнейшего использования.

## Технические характеристики

Артикул	74004	74005	74006	74007
Модель	MED 40B	MED 40T	MED D40T LCD	MED D40T
Тип микроскопа	биологические/световые		биологические/световые, цифровые	
Метод исследования	светлое поле		светлое поле	
Увеличение	40–1000 крат		40–1000 крат	
Межзрачковое расстояние	48–75 мм		48–75 мм	
Насадка	бинокулярная, поворотная на 360°, с наклоном 30°	тринокулярная, поворотная на 360°, с наклоном 30°	тринокулярная, поворотная на 360°, с наклоном 30°	
Материал оптики	оптическое стекло с антигрибковым покрытием		оптическое стекло с антигрибковым покрытием	
Диаметр окулярной трубки	30 мм		30 мм	
Диаметр третьей вертикальной окулярной трубки	–	23,2 мм	23,2 мм	
Окуляры	WF10x/22 мм (2 шт.)		WF10x/22 мм (2 шт.)	
Диоптрийная коррекция окуляров	±5 D		±5 D	
Объективы	планахроматические, скорректированные на бесконечность: 4x, 10x, 40xs, 60xs, 100xs (масляный)		планахроматические, скорректированные на бесконечность: 4x, 10x, 40xs, 60xs, 100xs (масляный)	
Револьверное устройство	на 5 объективов		на 5 объективов	
Диапазон перемещения предметного столика	75/50 мм		75/50 мм	
Предметный столик	механический двухслойный, 180x150 мм, с препаратоводителем		механический двухслойный, 180x150 мм, с препаратоводителем	
Фокусировка	коаксиальная, грубая (0,5 мм) и точная (0,002 мм), с зубчато-реечным механизмом		коаксиальная, грубая (0,5 мм) и точная (0,002 мм), с зубчато-реечным механизмом	
Конденсор	Аббе N.A. 1,25 с ирисовой диафрагмой		Аббе N.A. 1,25 с ирисовой диафрагмой	
Корпус	металл		металл	
Подсветка	нижняя, светодиодная (5 Вт), с регулировкой яркости		нижняя, светодиодная (5 Вт), с регулировкой яркости	
Коллектор	освещение по Келеру		освещение по Келеру	
Светофильтры	синий, зеленый, желтый		синий, зеленый, желтый	
Иммерсионное масло	+		+	
Предохранитель	2 шт.		2 шт.	
Источник питания	100–240 В, через сетевой адаптер		100–240 В, через сетевой адаптер	
Камера	–		5 Мпикс с ЖК-экраном	18 Мпикс
Источник питания камеры	–		12 В/2 А, через сетевой адаптер	5 В, через USB-кабель
Дополнительные аксессуары (приобретаются отдельно)	<i>планахроматический объектив, скорректированный на бесконечность: 20xs</i>		<i>планахроматический объектив, скорректированный на бесконечность: 20xs</i>	
	<i>окуляры (D 30 мм): 5x, 12,5x, 16x, 20x</i>		<i>окуляры (D 30 мм): 5x, 12,5x, 16x, 20x</i>	
	<i>конденсор темного поля</i>		<i>конденсор темного поля</i>	
	<i>фазово-контрастное устройство</i>		<i>фазово-контрастное устройство</i>	
	<i>устройство простой поляризации</i>		<i>устройство простой поляризации</i>	
	–	цифровая камера	–	

Производитель оставляет за собой право вносить любые изменения в модельный ряд и технические характеристики или прекращать производство изделия без предварительного уведомления.



**Внимание!** Помните, что напряжение сети в России и большинстве европейских стран составляет 220–240 В. Если вы хотите использовать устройство в стране с другим стандартом сетевого напряжения, необходимо включать его в розетку только через соответствующий конвертер (преобразователь напряжения). Микроскоп должен быть заземлен. Убедитесь, что напряжение сети соответствует напряжению, указанному на корпусе микроскопа.

## Уход и хранение

Никогда не смотрите в прибор на Солнце, на источник яркого света и лазерного излучения – ЭТО ОПАСНО ДЛЯ ЗРЕНИЯ И МОЖЕТ ПРИВЕСТИ К СЛЕПОТЕ! Будьте внимательны, если пользуетесь прибором вместе с детьми или людьми, не знакомыми с инструкцией. После вскрытия упаковки и установки микроскопа проверьте каждый компонент. Не разбирайте прибор. Сервисные и ремонтные работы могут проводиться только в специализированном сервисном центре. Оберегайте прибор от резких ударов и чрезмерных механических воздействий. Не прикладывайте чрезмерных усилий при настройке фокуса. Не затягивайте стопорные и фиксирующие винты слишком туго. Не касайтесь пальцами поверхностей линз. Для внешней очистки прибора используйте специальную салфетку и специальные чистящие средства Levenhuk для чистки оптики. Не используйте для чистки средства с абразивными или коррозионными свойствами и жидкости на основе ацетона. Абразивные частицы (например, песок) следует не стирать, а сдувать или смахивать мягкой кисточкой. Не подвергайте прибор длительному воздействию прямых солнечных лучей. Не используйте прибор в условиях повышенной влажности и не погружайте его в воду. Работайте с микроскопом аккуратно, надевайте на него пылезащитный чехол после работы, чтобы защитить его от пыли и масляных пятен. Если объективы и окуляры не используются долгое время, храните их упакованными в сухую коробку, отдельно от микроскопа. Храните прибор в сухом прохладном месте, недоступном для воздействия кислот или других активных химических веществ, вдали от отопителей (бытовых, автомобильных) и от открытого огня и других источников высоких температур. Не используйте микроскоп рядом с воспламеняемыми материалами, так как основание микроскопа может нагреться во время работы. Всегда отключайте микроскоп от электросети, прежде чем открывать батарейный отсек или менять лампу подсветки. Перед заменой лампы дайте ей остыть и всегда меняйте ее на лампу того же типа. Используйте источник питания, соответствующий напряжению сети, иначе может сгореть лампа, могут произойти повреждение электросхемы микроскопа или короткое замыкание. Дети могут пользоваться прибором только под присмотром взрослых. Если деталь прибора или элемент питания были проглочены, срочно обратитесь за медицинской помощью.

## Международная пожизненная гарантия Levenhuk

Компания Levenhuk гарантирует отсутствие дефектов в материалах конструкции и дефектов изготовления изделия. Продавец гарантирует соответствие качества приобретенного вами изделия компании Levenhuk требованиям технической документации при соблюдении потребителем условий и правил транспортировки, хранения и эксплуатации изделия. Срок гарантии: на аксессуары – **6 (шесть) месяцев** со дня покупки, на остальные изделия – **пожизненная гарантия** (действует в течение всего срока эксплуатации прибора).

Подробнее об условиях гарантийного обслуживания см. на сайте [www.levenhuk.ru/support](http://www.levenhuk.ru/support)

По вопросам гарантийного обслуживания вы можете обратиться в ближайшее представительство компании Levenhuk.

## Genel Bilgiler

Mikroskop ile çalışmaya başlamadan önce kullanıcı kılavuzunu dikkatli bir şekilde okuyun. Levenhuk MED Serisi biyolojik mikroskoplar, doğru kullanıldığında çevre ve tüketicinin sağlığı, yaşamı ve mülkiyeti için güvenlidir ve uluslararası standartların gerekliliklerini karşılamaktadır. Bu mikroskoplar parlak alan yöntemi kullanılarak iletilen ışıktaki saydam nesnelere incelemek için tasarlanmıştır. Klinik araştırmalar ve testlerde; eğitim tatbikatlarında; tıp ve sağlık kuruluşları, laboratuvarlar ve üniversitelerde bakteriyoskopi ve sitoloji alanında iyi performans gösterir; ayrıca tarım ve mikrobiyolojide bilimsel araştırmalar için kullanılabilir.

## Mikroskop tertibatı

- Mikroskobu dikkatlice ambalajından çıkarın ve düz bir yüzey üzerine yerleştirin.
- Göz merceği başlığının plastik torbalarını ve toz geçirmez kapağını çıkartın.
- Binoküler veya trinoküler başlığı takın ve kilitleme vidasını sıkıştırın.
- Kit içerisine dahil tüm parçaları inceleyin ve kullanım amaçlarını belirleyin.
- Güç kablosunu mikroskoba bağlayın ve fişe takın.

## Kullanım

Lütfen şekil 1a (binoküler model) ve 1b'ye (üç mercekli model) bakın.

- Gücü açtığınızda aydınlatma da açılacaktır. Parlaklığı yaklaşık %70'e ayarlayın. Örneği tabla üzerine yerleştirin. Kısaçaların örneği sıkıca yerinde tuttuğundan emin olun.
- İris diyaframı merceğin sayısal açıklığına uygun olarak ayarlanmalıdır. En iyi uygulama, iris diyaframının seçilen merceğin açıklığından biraz daha küçük olmasını sağlamaktır. İris diyaframını ayarlama vidalarını kullanarak açın veya kapatın. Ayarlama vidası sağa çevrilirse, iris diyaframı tamamen açılır. **Not:** diyafram, aydınlatmanın parlaklığını ayarlamak için tasarlanmamıştır. Parlaklığı ayarlamak için parlaklık ayarlama düğmesini kullanın.
- Gerekli olan filtreyi kollektörün üstüne yerleştirin.
- Objektif büyütme değerini değiştirmek için, çit sesi gelene kadar döner burun parçasını çevirin.
- Odak ayarlanırken merceğin numuneye temas etmediğinden emin olun: örnek mercekten yaklaşık 3,175 mm (1/8") uzaklıkta olana dek kaba odağı döndürün.
- Göz merceğinin içine bakarak, kaba odaklama düğmesini incelenen örneğin görüntüsünü görene dek yavaşça çevirin. Görüntüyü netleştirmek için ince odaklama düğmesini çevirin. İnce odaklama mekanizması yüksek büyütme kullanırken gözlenen örneğin üzerine odaklanmanıza izin verir.
- Yağ daldırma objektifi kullanılırken, örnek ile mercek arasındaki boşluğa daldırma yağı doldurulmalıdır. Kondensatörü üst konuma kaldırın ve merceğin ve numune kapak camının üzerine bir damla yağ damlatın. Yağdaki hava kabarcıklarından kurtulmak için döner burun parçasını geri ileri hareket ettirin. Ardından, objektif merceğini çalışma konumunda sabitleyin. Yağın objektif merceği ile örnek arasındaki tüm alanı doldurduğundan emin olun. Kullanım sonrasında, merceği silerek kurulaştırın.
- Mekanik ölçeğin konumunu ayarlamak için, mekanik ölçeğin konumunu düzelmek isterseniz kaba odaklama düğmesini saat yönünde döndürün ya da gevşetmek istiyorsanız saat yönünün tersine döndürün.
- Örneği görüş alanına yerleştirmek için, lamel hareket ettirme düğmelerini kullanarak lamel yatağını yatay olarak geri ve ileri ya da sola ve sağa hareket ettirin.
- Sağ göz merceğinden sağ gözünüz ile bakın ve kaba ve ince odaklama düğmeleri ile görüntü keskinliğini ayarlayın. Ardından sol göz merceğinden sol gözünüzle bakın ve sol ve sağ gözünüzün görüşü arasındaki farkı dengelemek için diyopter ayar halkasını döndürün. Bu ayarı sonraki kullanımlar için kaydedin. Binoküler başlığın göz merceği tüpleri arasındaki mesafeyi ayarlayın, böylece görüntü tek bir daire içerisinde birleşir.
- Trinoküler modeller: dijital kamerayı üçüncü göz merceği tüpüne takabilirsiniz. Göz merceklerine veya kameraya ışık göndermek için ışın demeti ayırıcısı kullanın.

## Sigorta değiştirme

Mikroskobu güç kaynağından çıkarın. Mikroskop gövdesinin arkasında bulunan sigorta tutucusunu düz başlı bir tornavida ile açın. Eski sigortayı çıkartın ve yenisini takın. Yalnızca uygun tip sigortalar kullanın. Sigorta tutucuyu kapatın.

## Dijital kamera

Levenhuk MED D40T bir dijital kamera ile (şek. 2a), Levenhuk MED D40T bir LCD ekran bulunan dijital kamera ile (şek. 2b) gelmektedir. Dijital kamera üçüncü göz merceği tüpüne takılıdır ve örnekleri ekran üzerinde ince ayrıntılara sahip ve gerçek renkte gözlemlenmesini, fotoğraf ve video çekmeyi ve daha ileride referans olarak kullanmak için görüntülerin kaydedilmesini sağlar.

## Teknik Özellikler

Ürün kimliği	74004	74005	74006	74007
Model	MED 40B	MED 40T	MED D40T LCD	MED D40T
Tip	biyolojik/optik		biyolojik/optik, dijital	
Araştırma yöntemi	parlak alan		parlak alan	
Büyütme	40–1000x		40–1000x	
Gözbebekleri arası mesafe	48–75 mm		48–75 mm	
Göz merceği başlığı	binoküler, 360° döndürülebilir, 30° eğimli	üç merceklili, 360° döndürülebilir, 30° eğimli	üç merceklili, 360° döndürülebilir, 30° eğimli	
Optik malzemesi	mantar önleyici kaplamalı optik cam		mantar önleyici kaplamalı optik cam	
Göz merceği tüp çapı	30 mm		30 mm	
Üçüncü dikey göz merceği tüpü	–	23,2 mm	23,2 mm	
Göz mercekleri	WF10x/22 mm (2 parça)		WF10x/22 mm (2 parça)	
Göz merceği diyopter ayarı	±5D		±5D	
Objektifler	Sonsuz Plan: 4x, 10x, 40xs, 60xs, 100xs (yağ)		Sonsuz Plan: 4x, 10x, 40xs, 60xs, 100xs (yağ)	
Döner burun parçası	5 objektif		5 objektif	
Lamel yuvası hareket aralığı	75/50 mm		75/50 mm	
Lamel yuvası	çift katmanlı mekanik, 180x150 mm, mekanik ölçekli		çift katmanlı mekanik, 180x150 mm, mekanik ölçekli	
Odak sistemi	koaksiyel, kaba (0,5 mm) ve ince (0,002 mm), kremayer ve pinyon mekanizması ile		koaksiyel, kaba (0,5 mm) ve ince (0,002 mm), kremayer ve pinyon mekanizması ile	
Kondansatör	Abbe Sayısal Açıklık 1,25 iris diyaframı		Abbe Sayısal Açıklık 1,25 iris diyaframı	
Gövde	metal		metal	
Aydınlatma	alt (5 W LED) parlaklık ayarlı		alt (5 W LED) parlaklık ayarlı	
Kolektör	Köhler aydınlatma		Köhler aydınlatma	
Filtreler	mavi, yeşil, sarı		mavi, yeşil, sarı	
Daldırma yağı flakonu	+		+	
Sigorta	2 adet		2 adet	
Güç kaynağı	100–240 V, AC adaptörü ile		100–240 V, AC adaptörü ile	
Dijital kamera	–		LCD ekrana sahip 5 Mpx	18 Mpx
Kamera konektörü	–		+	+
Kamera güç kaynağı	–		DC 12 V/2 A AC adaptörü yoluyla	DC 5 V, USB 3.0 kablosu aracılığıyla
İsteğe bağlı aksesuarlar (ayrıca satılır)	sonsuz plan objektif: 20xs		sonsuz plan objektif: 20xs	
	göz mercekleri (D 30 mm): 5x, 12,5x, 16x, 20x		göz mercekleri (D 30 mm): 5x, 12,5x, 16x, 20x	
	karanlık alan kondansatörü		karanlık alan kondansatörü	
	standart kontrast aygıtı		standart kontrast aygıtı	
	düz polarizasyon aygıtı		düz polarizasyon aygıtı	
	–		dijital kamera	–

Üretici, ürün serisinde ve teknik özelliklerinde önceden bildirimde bulunmaksızın değişiklik yapma hakkını saklı tutar.



**Dikkat:** Şebeke voltajı birçok Avrupa ülkesinde 220–240 V değerindedir. Cihazınızı farklı bir şebeke voltajı standardına sahip bir ülkede kullanacaksanız, dönüştürücü kullanmanın kesinlikle gerekli olduğunu unutmayın.

## Bakım ve onarım

**RETİNADA KALICI HASARA** neden olabileceğinden ve **KÖRLÜĞE** yol açabileceğinden kesinlikle, hiçbir koşul altında Güneşe, başka bir parlak ışık kaynağına ya da bu cihaz aracılığıyla bir lazere doğrudan bakmayın. Cihazı, bu talimatları okumayan veya tamamen anlamayan çocuklar veya diğer kişiler ile birlikte kullanırken gerekli önlemleri alın. Mikroskobunuzu ambalajından çıkardıktan sonra ve ilk defa kullanmadan önce, her bileşenin ve bağlantının sağlamlığını ve dayanıklılığını kontrol edin. Cihazı herhangi bir sebep için kendi başınıza sökmeye çalışmayın. Her tür onarım ve temizlik için lütfen yerel uzman servis merkeziniz ile iletişime geçin. Cihazı ani darbelere ve aşırı mekanik güçlere karşı koruyun. Odağı ayarlarken aşırı basınç uygulamayın. Kilitleme vidalarını aşırı sıkmayın. Optik yüzeylere parmaklarınızla dokunmayın. Cihazın dışını temizlemek için, yalnızca Levenhuk'un özel temizleme bezlerini ve özel optik temizleme aletlerini kullanın. Optiği temizlemek için aşındırıcı veya aseton bazlı sıvılar kullanmayın. Kum gibi aşındırıcı parçacıklar lenslerden silerek temizlenmemeli, bunun yerine üflenmeli veya yumuşak bir fırça ile fırçalanmalıdır. Cihazı uzun süre kullanmayın veya doğrudan güneş ışığında gözetimsiz bırakmayın. Cihazı su ve yüksek nemden uzak tutun. İncelemeleriniz sırasında dikkatli olun, cihazı toz ve lekelerden korumak için incelemelerinizi bitirdikten sonra toz kapağını daima yenisiyle değiştirin. Mikroskobunuzu uzun süre kullanmıyorsanız, objektif lensleri ve göz merceklelerini mikroskoptan ayrı olarak saklayın. Cihazı tehlikeli asitler ve diğer kimyasallardan, ısıtıcılardan, açık ateşten ve diğer yüksek sıcaklık kaynaklarından uzakta kuru, serin bir yerde saklayın. Mikroskobu kullanırken, taban kullanım sırasında ısınabildiğinden ve bir yangın tehlikesi oluşturabildiğinden, yanıcı malzeme veya maddelerin (benzen, kağıt, karton, plastik vb.) yakınında kullanmamaya çalışın. Tabanı açmadan veya aydınlatma lambasını değiştirmeden önce mikroskobu daima bir güç kaynağından çıkarın. Lamba türünden (halojen veya akkor lamba) bağımsız olarak, değiştirmeye çalışmadan önce soğuması için biraz zaman tanıyın ve daima aynı tipte bir lamba ile değiştirin. Güç kaynağını daima uygun voltajla, yani yeni mikroskobunuzun teknik özelliklerinde belirtilen şekilde kullanın. Cihazı farklı bir elektrik prizine takmak mikroskobun elektrik devresine zarar verebilir, lambayı yakabilir ve hatta kısa devreye neden olabilir. **Çocuklar cihazı yalnızca yetişkin gözetiminde kullanabilir. Küçük bir parça veya pil yutulursa hemen tıbbi yardım alın.**

## Levenhuk Uluslararası Ömür Boyu Garanti

Tüm Levenhuk teleskopları, mikroskopları, dürbünleri ve diğer optik ürünleri, aksesuarlar hariç olmak üzere, malzeme ve işçilik kaynaklı kusurlara karşı **ömür boyu garantilidir**. Ömür boyu garanti, piyasadaki ürünün kullanım ömrü boyunca garanti altında olması anlamına gelir. Tüm Levenhuk aksesuarları, perakende satış yoluyla alınmasından sonra **2 yıl** boyunca malzeme ve işçilik kaynaklı kusurlara karşı garantilidir. Bu garanti sayesinde, tüm garanti koşulları sağlandığı takdirde, Levenhuk ofisi bulunan herhangi bir ülkede Levenhuk ürününüz için ücretsiz olarak onarım veya değişim yapabilirsiniz.

Ayrıntılı bilgi için web sitemizi ziyaret edebilirsiniz: [www.levenhuk.eu/warranty](http://www.levenhuk.eu/warranty)

Garanti sorunları ortaya çıkarsa veya ürününüzü kullanırken yardıma ihtiyacınız olursa, yerel Levenhuk şubesi ile iletişime geçin.

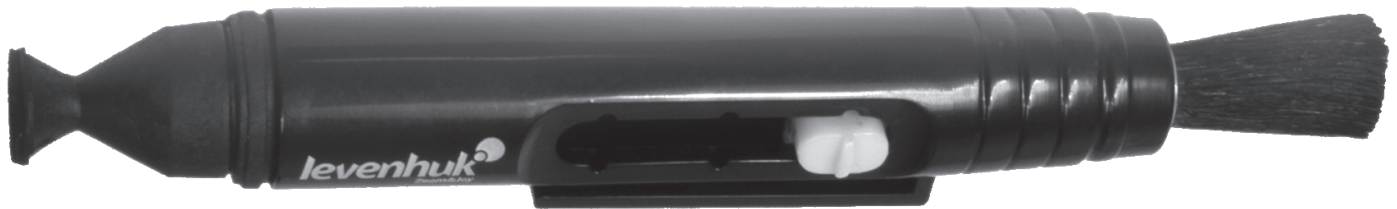




The original Levenhuk cleaning accessories



## Levenhuk Cleaning Pen LP10



Removes dust with a brush  
The soft tip is treated with a special cleaning fluid that removes greasy stains  
Does not damage optical coatings of the lenses  
Leaves no smudges or stains

### Levenhuk Worldwide:

USA: [www.levenhuk.com](http://www.levenhuk.com)  
Azerbaijan: [www.levenhuk.az](http://www.levenhuk.az)  
Bulgaria: [www.levenhuk.bg](http://www.levenhuk.bg)  
Canada: [www.levenhuk.ca](http://www.levenhuk.ca)  
Czech Rep.: [www.levenhuk.cz](http://www.levenhuk.cz)  
Estonia: [www.levenhuk.ee](http://www.levenhuk.ee)

Finland: [fi.levenhuk.com](http://fi.levenhuk.com)  
Germany: [www.levenhuk.de](http://www.levenhuk.de)  
Hungary: [www.levenhuk.hu](http://www.levenhuk.hu)  
Iceland: [www.levenhuk.is](http://www.levenhuk.is)  
India: [www.levenhuk.in](http://www.levenhuk.in)  
Italy: [www.levenhuk.it](http://www.levenhuk.it)

Latvia: [www.levenhuk.lv](http://www.levenhuk.lv)  
Lithuania: [www.levenhuk.lt](http://www.levenhuk.lt)  
Netherlands: [www.levenhuk.nl](http://www.levenhuk.nl)  
Poland: [www.levenhuk.pl](http://www.levenhuk.pl)  
Romania: [www.levenhuk.ro](http://www.levenhuk.ro)  
Russia: [www.levenhuk.ru](http://www.levenhuk.ru)

Slovakia: [www.levenhuk.sk](http://www.levenhuk.sk)  
Spain: [www.levenhuk.es](http://www.levenhuk.es)  
Turkey: [tr.levenhuk.com](http://tr.levenhuk.com)  
Ukraine: [www.levenhuk.ua](http://www.levenhuk.ua)  
United Kingdom: [www.levenhuk.uk](http://www.levenhuk.uk)  
EU: [www.levenhuk.eu](http://www.levenhuk.eu)

## levenhuk.com

Levenhuk Inc. (USA): 928 E 124th Ave. Ste D, Tampa, FL 33612, USA, +1 813 468-3001, [contact\\_us@levenhuk.com](mailto:contact_us@levenhuk.com)  
Levenhuk Optics s.r.o. (Europe): V Chotejně 700/7, 102 00 Prague 102, Czech Republic, +420 737-004-919, [sales-info@levenhuk.cz](mailto:sales-info@levenhuk.cz)  
Levenhuk® is registered trademark of Levenhuk, Inc.  
© 2006–2022 Levenhuk, Inc. All rights reserved.  
20220506

**levenhuk**  
Zoom&Joy